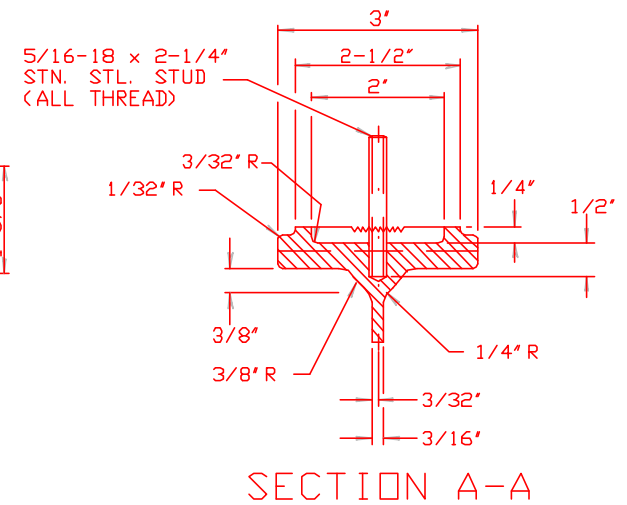


T-BAR
NTS
MATL. ALUM ALLOY 356



NOTES:

1. EACH T-BAR ASSEMBLY SHALL CONSIST OF:
 - (1)-T-BAR
 - (2)-ALUM WASHERS
 - (2)-5/16" DIA. STN. STL. LOCKWASHERS
 - (2)-5/16" STN. STL. HEX NUTS
2. FOR USE WITH 2-WAY HOLLOW SPIDER ASSEMBLIES WHERE SIGNAL FACES ARE SAME SIZE AND CONFIGURATION.

FINISH = FED YELLOW POWDER COAT

2 WAY T-BAR BRACKET

Signal Control Products, Inc.
199 Evans Way, Branchburg, NJ 08876-4600
Ph: 908-2331-1133 Fax: 908-707-0333

3-Way T-Bar Bracket



T-BAR

NTS

MATL. ALUM ALLOY 356

* A 4-Way T-Bar Bracket is also available from SCP.

Notes:

1. EACH T-BAR ASSEMBLY SHALL CONSIST OF:
 - (1) – T-BAR
 - (3) – ALUM WASHERS
 - (3) – 5/16" DIA. STN. STL. LOCKWASHERS
 - (3) – 5/16" STN. STL. HEX NUTS
2. FOR USE WITH 3-WAY HOLLOW SPIDER ASSEMBLIES WHERE SIGNAL FACES ARE SAME SIZE AND CONFIGURATION

FINISH = FED YELLOW POWDER COAT

3-WAY T-BAR BRACKET

Signal Control Products, Inc.
199 Evans Way, Branchburg, NJ 08876-4600
Ph: 908-2331-1133 Fax: 908-707-0333