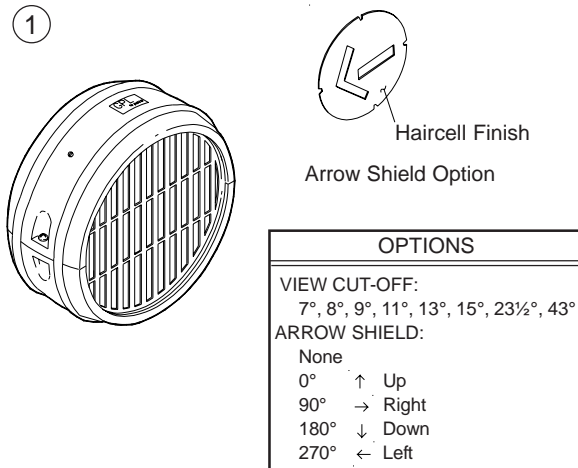
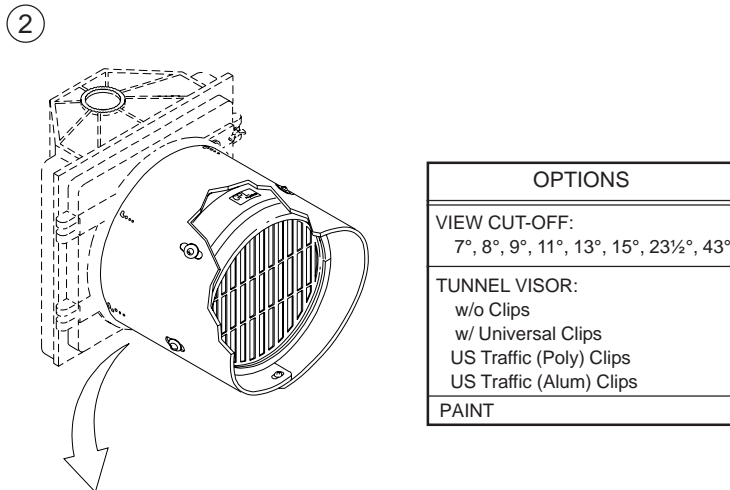


SIGNAL ACCESSORIES

Geometrically Programmed Louver



ITEM	DESCRIPTION	PART NO.
①	GPL, Geometrically Programmed Louver, 12" w/o Visor	GL-1001
②	GPL, Geometrically Programmed Louver, 12" w/ Visor	GL-1010
③	INSTALLATION KIT, w/o Screw Gun, Includes visor marking template & sleeve, staedtler pen, adjustment tool, 1/4" & 5/16" shock cord assys. & small tool box	GL-2001
④	INSTALLATION KIT, w/ Screw Gun, Includes visor marking template & sleeve, staedtler pen, adjustment tool, 1/4" & 5/16" shock cord assys., cordless Makita screw gun w/ 5/16" magnetic socket, battery charger & large tool box	GL-2002
5	ADJUSTMENT TOOL, GPL w/ Depth Gauge	GL-1002



Notes:

- All assemblies are supplied standard with stainless steel fasteners.
- Universal clips fit Eagle, Econolite, TCT, Mark IV, and McCain signals.
- Please specify options when ordering.

