

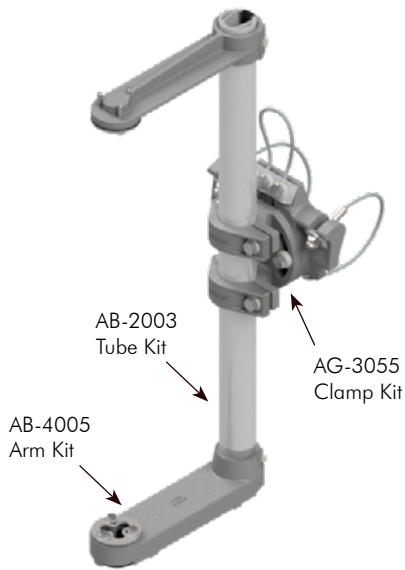
1-Way Assemblies

Designed to accommodate all traffic signals, with the exception of optically programmed (see pages T1-18 through T1-21). The Galaxy and Stellar Astro-Brac series feature all-axis adjustability and are designed to facilitate the mounting of any size signal to any shape mast arm or pole.



Astro-Brac

pelco
PELCO PRODUCTS, INC.

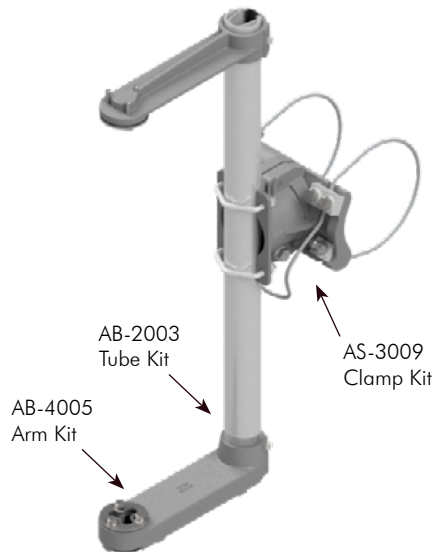


Astro-Brac Galaxy Assy, 1-Way Cable Mount

AG-0125	-	<input type="text"/>	-	<input type="text"/>	-	<input type="text"/>	-	<input type="text"/>
		Signal Section		Cable Length		Cable		Coating
		1=1 Sec		See Note		Blank=Galv		PNC=Process No Color
		2=2 Sec				SS=Stainless		P__=Paint
		3=3 Sec						
		4=4 Sec						
		5=5 Sec						



Note:
Cable Length: 62", 84", 96", 110", 120", 132", 144", 220", or 280".



Astro-Brac Stellar Assy, 1-Way Cable Mount

AS-0125	-	<input type="text"/>	-	<input type="text"/>	-	<input type="text"/>	-	<input type="text"/>
		Signal Section		Cable Length		Cable		Coating
		1=1 Sec		See Note		Blank=Galv		PNC=Process No Color
		2=2 Sec				SS=Stainless		P__=Paint
		3=3 Sec						
		4=4 Sec						
		5=5 Sec						



Note:
Cable Length: 62", 84", 96", 110", 120", 132", 144", 220", or 280".

- Note: 1. All assemblies are supplied standard with stainless steel slotted washers and fasteners.
2. See Reference Section page iv for cable and band clamp kit pole diameters.
3. See Reference Section for available paint colors.



1-Way Assemblies

Designed to accommodate all traffic signals, with the exception of optically programmed featured on pages T1-18 and T1-21. The Galaxy and Stellar Astro-Brac series feature all-axis adjustability and are designed to facilitate the mounting of any size signal to any shape mast arm or pole.



Astro-Brac Stellar Assy, 1-Way Band Mount

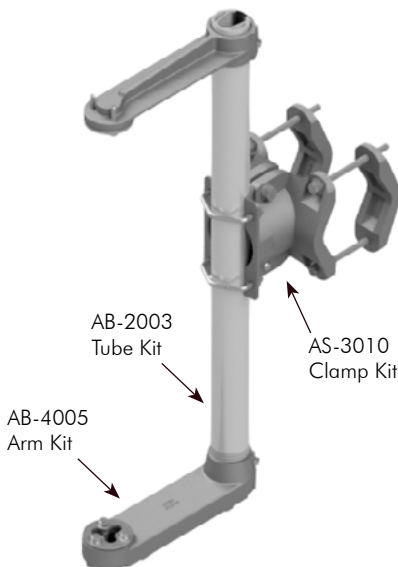


AS-0116	-	<input type="text"/>	-	<input type="text"/>	-	<input type="text"/>	-	<input type="text"/>
		Signal Section		Band Length		Clamp Screw		Coating
		1=1 Sec		See Note		Blank=Galv		PNC=Process No Color
		2=2 Sec				SS=Stainless		P__=Paint
		3=3 Sec						
		4=4 Sec						
		5=5 Sec						



Note:
Band Length: 29", 36", 42", 48", 56", 72", 84", 96", or 114".

Astro-Brac Stellar Assy, 1-Way Tenon Mount



AS-0137	-	<input type="text"/>	-	<input type="text"/>
		Signal Section		Coating
		1=1 Sec		PNC=Process No Color
		2=2 Sec		P__=Paint
		3=3 Sec		
		4=4 Sec		
		5=5 Sec		



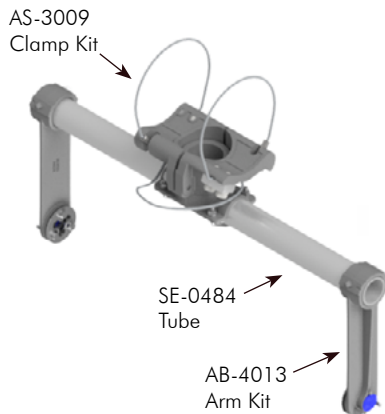
Note:
Fits 1.9" to 4.5" diameter.

Note: 1. All assemblies are supplied standard with stainless steel slotted washers and fasteners.
2. See Reference Section page iv for cable and band clamp kit pole diameters.
3. See Reference Section for available paint colors.



1-Way Horizontal Assemblies

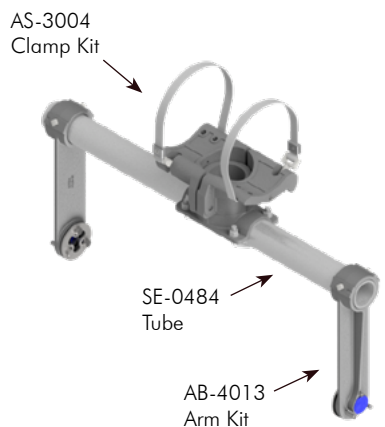
The Astro-Brac easily adapts to mount signals horizontally from a mast arm. When adjustments for skewed angles are necessary, the articulating bracket is a must.



Astro-Brac Stellar Assy, 1-Way Horizontal Cable Mount

AS-0194	-	<input type="text"/>	-	<input type="text"/>	-	<input type="text"/>	-	<input type="text"/>
		Signal Section		Cable Length		Cable		Coating
		1=1 Sec		See Note		Blank=Galv		PNC=Process No Color
		2=2 Sec				SS=Stainless		P__=Paint
		3=3 Sec						
		4=4 Sec						
		5=5 Sec						

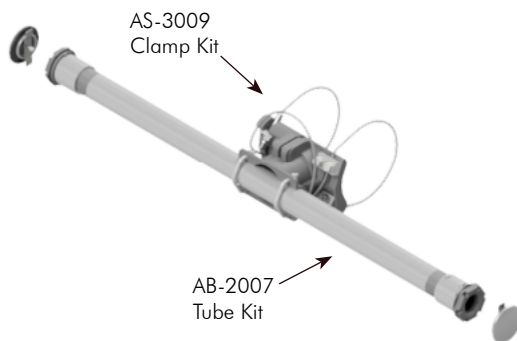
Note:
Cable Length: 62", 84", 96", 110", 120", 132", 144", 220", or 280".



Astro-Brac Stellar Assy, 1-Way Horizontal Band Mount

AS-0124	-	<input type="text"/>	-	<input type="text"/>	-	<input type="text"/>
		Signal Section		Band Length		Coating
		1=1 Sec		See Note		PNC=Process No Color
		2=2 Sec				P__=Paint
		3=3 Sec				
		4=4 Sec				
		5=5 Sec				

Note:
Band Length: 29", 36", 42", 48", 56", 72", 84", 96", or 114".



Astro-Brac Stellar Assy, 1-Way w/ Signal Closures Horizontal Cable Mount

AS-0684	-	<input type="text"/>	-	<input type="text"/>	-	<input type="text"/>	-	<input type="text"/>
		Tube Length		Cable Length		Cable		Coating
		24=24" Tube		See Note		Blank=Galv		PNC=Process No Color
		36=24" Tube				SS=Stainless		P__=Paint
		48=48" Tube						

Note:
Cable Length: 62", 84", 96", 110", 120", 132", 144", 220", or 280".



- Note: 1. All assemblies are supplied standard with stainless steel slotted washers and fasteners.
2. See Reference Section page iv for cable and band clamp kit pole diameters.
3. See Reference Section for available paint colors.



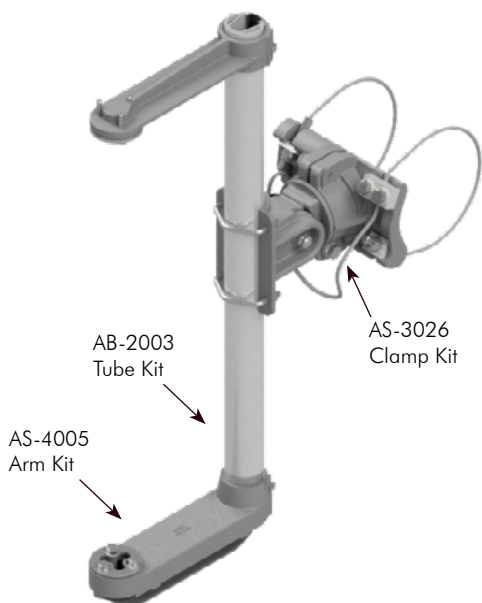
1-Way Articulating Assemblies

The Atlas Astro-Brac series is capable of concealing one 3/4" diameter or two 5/8" diameter conduits. The internal wiring capability and 3 axis of adjustability can handle even the toughest alignment problems and make this system truly universal.



Astro-Brac

Astro-Brac Atlas Assy, 1-Way Articulating Cable Mount

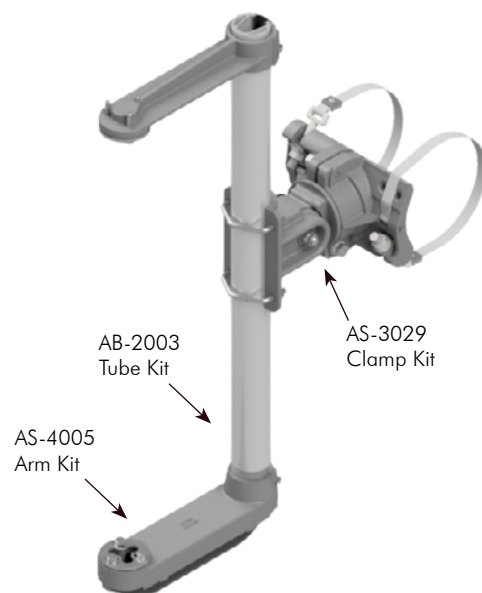


AS-0150	-	Signal Section	-	Cable Length	-	Cable	-	Coating
	-	1=1 Sec	-	See Note	-	Blank=Galv	-	PNC=Process No Color
	-	2=2 Sec	-		-	SS=Stainless	-	P__=Paint
	-	3=3 Sec	-		-		-	
	-	4=4 Sec	-		-		-	
	-	5=5 Sec	-		-		-	



Note:
Cable Length: 62", 84", 96", 110", 120", 132", 144", 220", or 280".

Astro-Brac Atlas Assy, 1-Way Articulating Band Mount



AS-0153	-	Signal Section	-	Band Length	-	Coating
	-	1=1 Sec	-	See Note	-	PNC=Process No Color
	-	2=2 Sec	-		-	P__=Paint
	-	3=3 Sec	-		-	
	-	4=4 Sec	-		-	
	-	5=5 Sec	-		-	



Note:
Band Length: 29", 36", 42", 48", 56", 72", 84", 96", or 114".

pelco
PELCO PRODUCTS, INC.

Note: 1. All assemblies are supplied standard with stainless steel slotted washers and fasteners.
2. See Reference Section for clamp kit pole diameters.
3. See Reference Section for available paint colors.

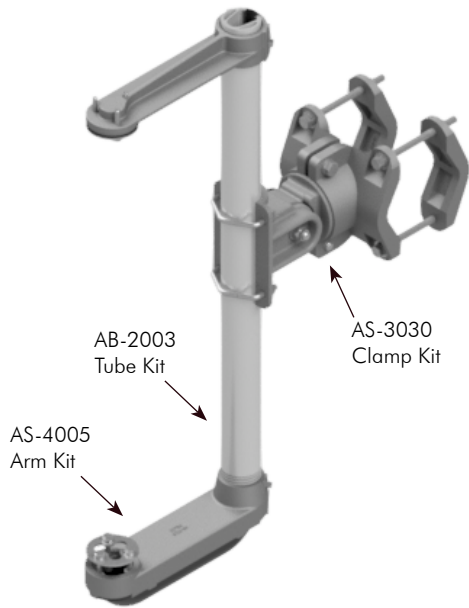


1-Way Articulating Assemblies

The Atlas Astro-Brac series is capable of concealing one 3/4" diameter or two 5/8" diameter conduits. The internal wiring capability and 3 axis of adjustability can handle even the toughest alignment problems and make this system truly universal.



Astro-Brac

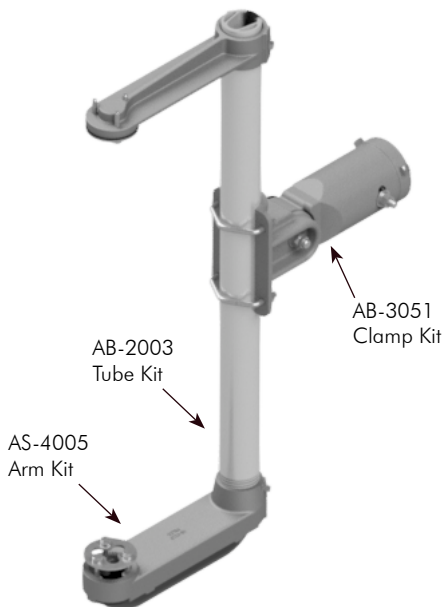


Astro-Brac Atlas Assy, 1-Way Articulating Tenon Mount

AS-0154	-	<input type="text"/>	-	<input type="text"/>
		Signal Section		Coating
		1=1 Sec		PNC=Process No Color
		2=2 Sec		P__=Paint
		3=3 Sec		
		4=4 Sec		
		5=5 Sec		



Note:
Fits 1.9" to 4.5" diameter.



Astro-Brac Atlas Assy, 1-Way Articulating Tenon Mount

AS-0149	-	<input type="text"/>	-	<input type="text"/>
		Signal Section		Coating
		1=1 Sec		PNC=Process No Color
		2=2 Sec		P__=Paint
		3=3 Sec		
		4=4 Sec		
		5=5 Sec		



Note:
Fits 1.9" diameter.

Note: 1. All assemblies are supplied standard with stainless steel slotted washers and fasteners.
2. See Reference Section for available paint colors.



This page is intentionally left blank.

Astro-Brac

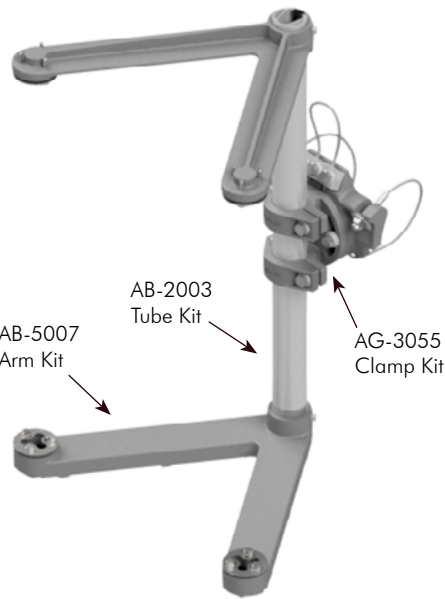
pelco
PELCO PRODUCTS, INC.

2-Way Assemblies

Designed to accommodate all traffic signals, with the exception of optically programmed (see pages T1-18 through T1-21). The Galaxy and Stellar Astro-Brac series feature all-axis adjustability and are designed to facilitate the mounting of 2-way signals on any shape of mast arm or pole.



Astro-Brac

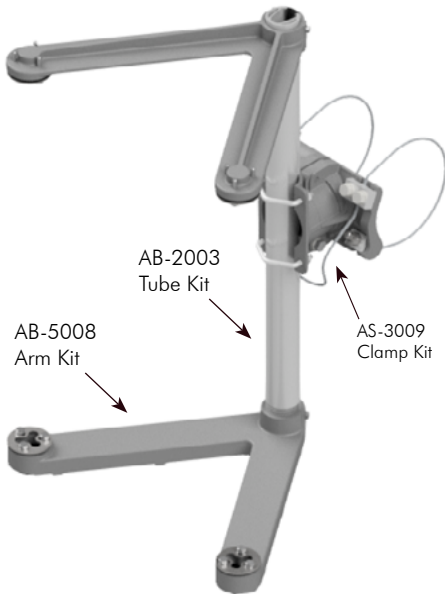


Astro-Brac Galaxy Assy, 2-Way Cable Mount

AG-0188	-	<input type="text"/>	-	<input type="text"/>	-	<input type="text"/>	-	<input type="text"/>
		Signal Section		Cable Length		Cable		Coating
		1=1 Sec		See Note		Blank=Galv		PNC=Process No Color
		2=2 Sec				SS=Stainless		P__=Paint
		3=3 Sec						
		4=4 Sec						
		5=5 Sec						



Note:
Cable Length: 62", 84", 96", 110", 120", 132", 144", 220", or 280".



Astro-Brac Stellar Assy, 2-Way Cable Mount

AS-0188	-	<input type="text"/>	-	<input type="text"/>	-	<input type="text"/>	-	<input type="text"/>
		Signal Section		Cable Length		Cable		Coating
		1=1 Sec		See Note		Blank=Galv		PNC=Process No Color
		2=2 Sec				SS=Stainless		P__=Paint
		3=3 Sec						
		4=4 Sec						
		5=5 Sec						



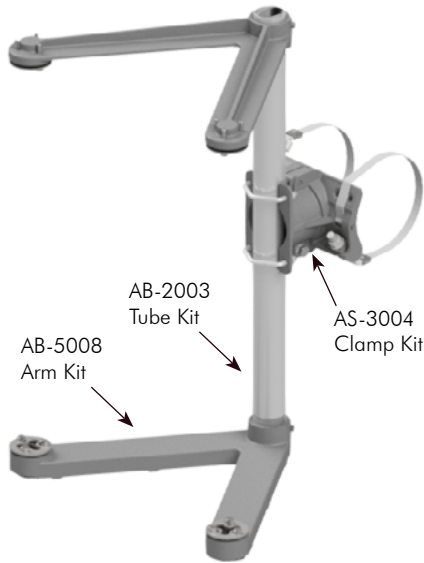
Note:
Cable Length: 62", 84", 96", 110", 120", 132", 144", 220", or 280".

- Note: 1. All assemblies are supplied standard with stainless steel slotted washers and fasteners.
2. See Reference Section for clamp kit pole diameters.
3. See Reference Section for available paint colors.



2-Way Assemblies

Designed to accommodate all traffic signals, with the exception of optically programmed (see pages T1-18 through T1-21). The Stellar Astro-Brac series feature all-axis adjustability and are designed to facilitate the mounting of 2-way signals to any shape of mast arm or pole.

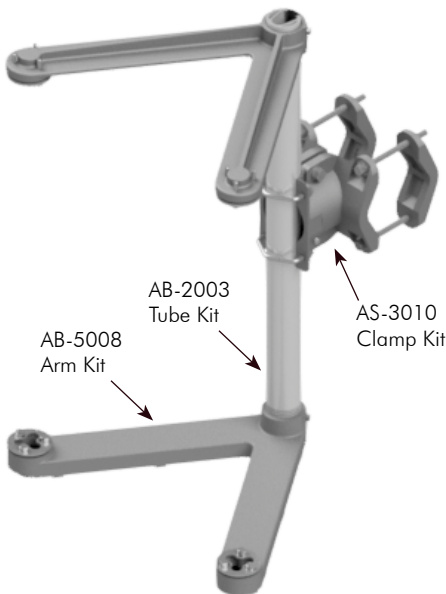


Astro-Brac Stellar Assy, 2-Way Band Mount

AS-0110	-	<input type="text"/>	-	<input type="text"/>	-	<input type="text"/>	-	<input type="text"/>
		Signal Section		Band Length		Clamp Screw		Coating
		1=1 Sec		See Note		Blank=Galv		PNC=Process No Color
		2=2 Sec				SS=Stainless		P__=Paint
		3=3 Sec						
		4=4 Sec						
		5=5 Sec						



Note:
Band Length: 29", 36", 42", 48", 56", 72", 84", 96", or 114".



Astro-Brac Stellar Assy, 2-Way Tenon Mount

AS-0641	-	<input type="text"/>	-	<input type="text"/>
		Signal Section		Coating
		1=1 Sec		PNC=Process No Color
		2=2 Sec		P__=Paint
		3=3 Sec		
		4=4 Sec		
		5=5 Sec		



Note:
Fits 1.9" to 4.5" diameter.

Note: 1. All assemblies are supplied standard with stainless steel slotted washers and fasteners.
2. See Reference Section for clamp kit pole diameters.
3. See Reference Section for available paint colors.

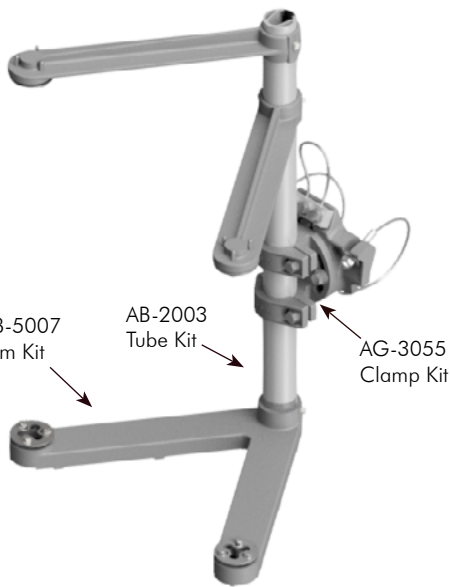


2-Way Variable Assemblies

Designed to accommodate all traffic signals, with the exception of optically programmed (see pages T1-18 through T1-21). The 2-Way Variable Galaxy and Stellar Astro-Brac features all-axis adjustability and is designed to facilitate the mounting of unbalanced signal combinations to any shape mast arm or pole



Astro-Brac

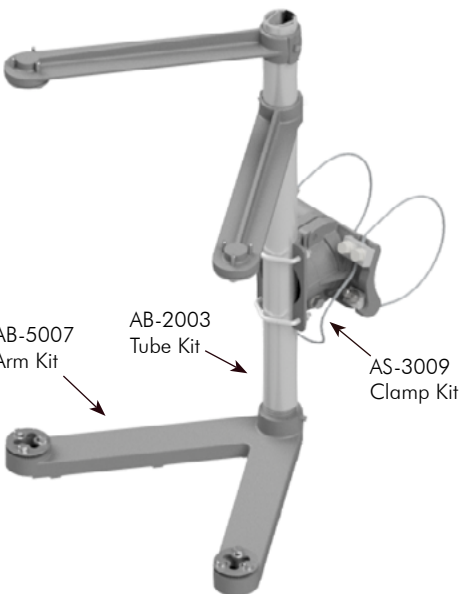


Astro-Brac Galaxy Assy, 2-Way Variable Cable Mount

AG-0193	-	Signal Section	-	Cable Length	-	Cable	-	Coating
	-	3=3 Sec	-	See Note	-	Blank=Galv	-	PNC=Process No Color
	-	4=4 Sec	-		-	SS=Stainless	-	P__=Paint
	-	5=5 Sec	-		-		-	



Note:
Cable Length: 62", 84", 96", 110", 120", 132", 144", 220", or 280".



Astro-Brac Stellar Assy, 2-Way Variable Cable Mount

AS-0193	-	Signal Section	-	Cable Length	-	Cable	-	Coating
	-	3=3 Sec	-	See Note	-	Blank=Galv	-	PNC=Process No Color
	-	4=4 Sec	-		-	SS=Stainless	-	P__=Paint
	-	5=5 Sec	-		-		-	



Note:
Cable Length: 62", 84", 96", 110", 120", 132", 144", 220", or 280".

- Note: 1. All assemblies are supplied standard with stainless steel slotted washers and fasteners.
2. See Reference Section for clamp kit pole diameters.
3. See Reference Section for available paint colors.

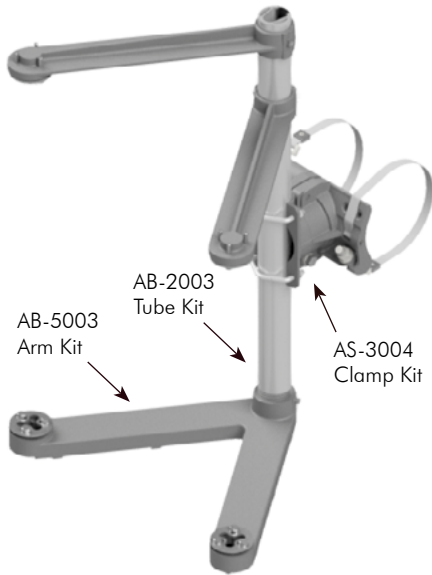


2-Way Variable Assemblies

Designed to accommodate all traffic signals, with the exception of optically programmed (see pages T1-18 through T1-21). The 2-Way Variable Stellar Astro-Brac features all-axis adjustability and is designed to facilitate the mounting of unbalanced signal combinations to any shape mast arm or pole.



Astro-Brac Stellar Assy, 2-Way Variable Band Mount



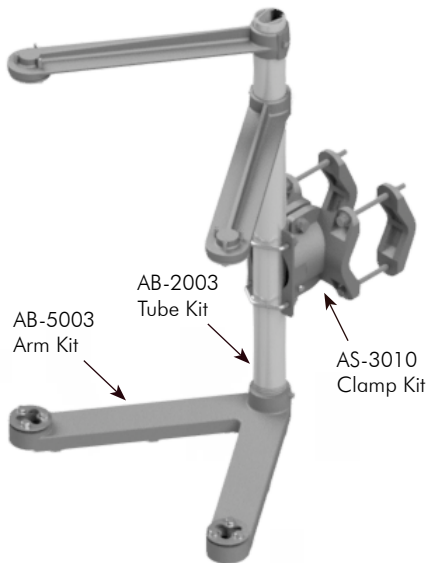
AS-0111 - - -

Signal Section: 2=2 Sec, 3=3 Sec, 4=4 Sec
 Band Length: See Note
 Coating: PNC=Process No Color, P_ =Paint



Note:
 Band Length: 29", 36", 42", 48", 56", 72", 84", 96", or 114".

Astro-Brac Stellar Assy, 2-Way Variable Tenon Mount



AS-0642 - -

Signal Section: 3=3 Sec, 4=4 Sec, 5=5 Sec
 Coating: PNC=Process No Color, P_ =Paint



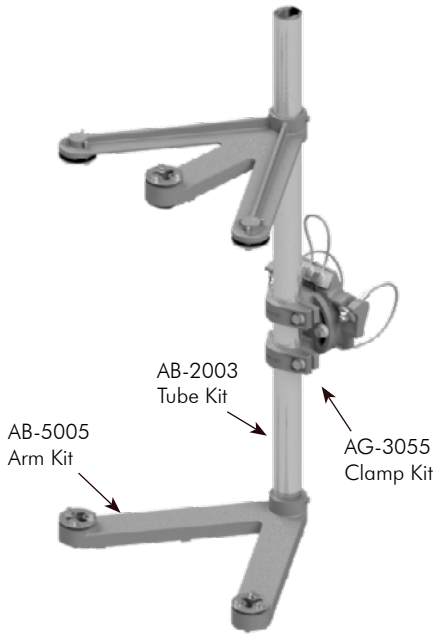
Note:
 Fits 1.9" to 4.5" diameter.

Note: 1. All assemblies are supplied standard with stainless steel slotted washers and fasteners.
 2. See Reference Section for clamp kit pole diameters.
 3. See Reference Section for available paint colors.



Cluster Assemblies

Designed to accommodate all traffic signals, with the exception of optically programmed (see pages T1-18 through T1-21). The Cluster Galaxy and Stellar Astro-Brac features all-axis adjustability and is designed to facilitate the mounting of 5-section signal heads to any shape mast arm or pole.



Astro-Brac Galaxy Assy, 5-Sec Cluster Cable Mount

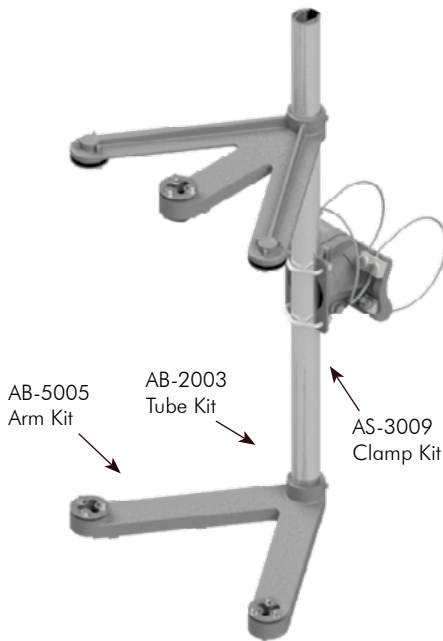
AG-0138 - - -

Cable Length Cable Coating

See Note Blank=Galv PNC=Process No Color
 SS=Stainless P__=Paint



Note:
Cable Length: 62", 84", 96", 110", 120", 132", 144", 220", or 280".



Astro-Brac Stellar Assy, 5-Sec Cluster Cable Mount

AS-0138 - - -

Cable Length Cable Coating

See Note Blank=Galv PNC=Process No Color
 SS=Stainless P__=Paint



Note:
Cable Length: 62", 84", 96", 110", 120", 132", 144", 220", or 280".

- Note: 1. All assemblies are supplied standard with stainless steel slotted washers and fasteners.
2. See Reference Section for clamp kit pole diameters.
3. See Reference Section for available paint colors.

Cluster Assemblies

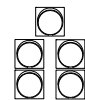
Designed to accommodate all traffic signals, with the exception of optically programmed (see pages T1-18 through T1-21). The Cluster Stellar Astro-Brac features all-axis adjustability and is designed to facilitate the mounting of 5-section signal heads to any shape mast arm or pole.



Astro-Brac Stellar Assy, 5-Sec Cluster Band Mount

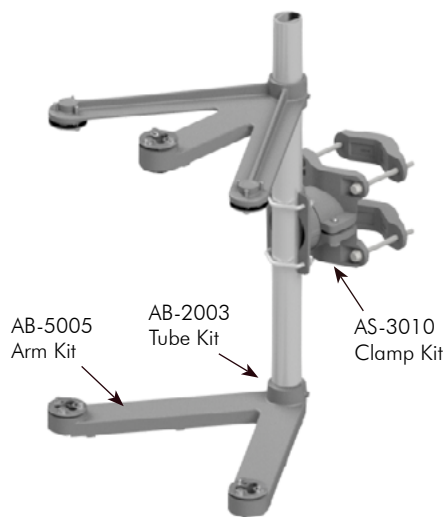


AS-0109 - -
 See Note PNC=Process No Color
 P__=Paint

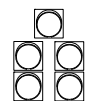


Note:
 Band Length: 29", 36", 42", 48", 56", 72", 84", 96", or 114".

Astro-Brac Stellar Assy, 5-Sec Cluster Tenon Mount



AS-0190 -
 Coating
 PNC=Process No Color
 P__=Paint



Note:
 Fits 1.9" to 4.5" diameter.

- Note: 1. All assemblies are supplied standard with stainless steel slotted washers and fasteners.
 2. See Reference Section for clamp kit pole diameters.
 3. See Reference Section for available paint colors.

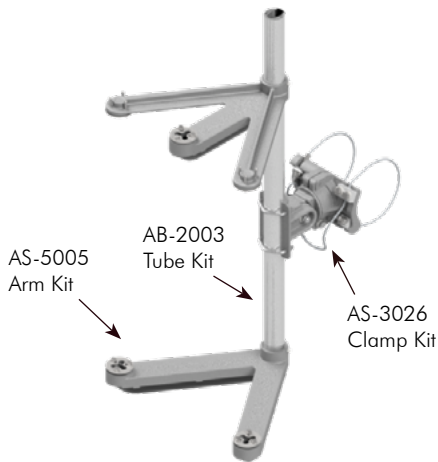


Cluster Assemblies

The Atlas articulating series of Astro-Brac can conceal one 3/4" diameter or two 5/8" diameter conduits. The cluster assemblies are designed to mount 5-section heads to any shape of mast arm or pole.



Astro-Brac



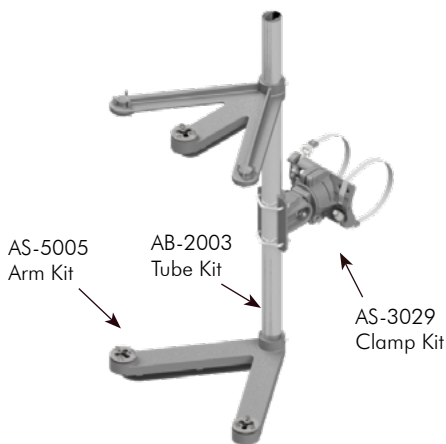
Astro-Brac Atlas Assy, 5-Sec Cluster Articulating Cable Mount

AS-0162 - - -

See Note Blank=Galv PNC=Process No Color
 SS=Stainless P__=Paint



Note:
 Cable Length: 62", 84", 96", 110", 120", 132", 144", 220", or 280".



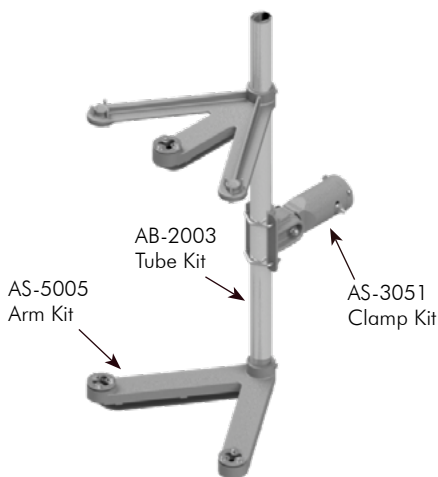
Astro-Brac Atlas Assy, 5-Sec Cluster Articulating Band Mount

AS-0675 - -

See Note PNC=Process No Color
 P__=Paint



Note:
 Band Length: 29", 36", 42", 48", 56", 72", 84", 96", or 114".



Astro-Brac Atlas Assy, 5-Sec Cluster Articulating Tenon Mount

AS-0187 - -

62=62" Cable PNC=Process No Color
 84=84" Cable P__=Paint
 96=96" Cable



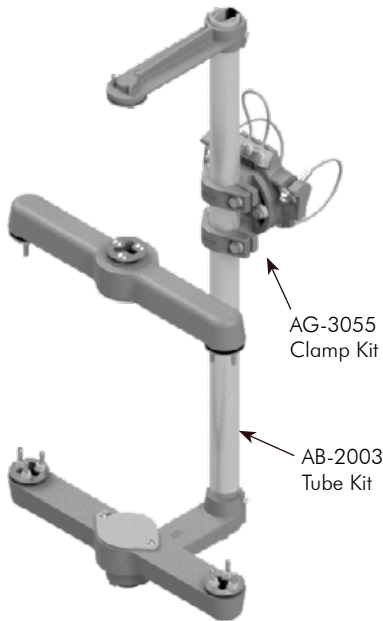
Note:
 Fits 1.9" diameter.

- Note: 1. All assemblies are supplied standard with stainless steel slotted washers and fasteners.
 2. See Reference Section for clamp kit pole diameters.
 3. See Reference Section for available paint colors.



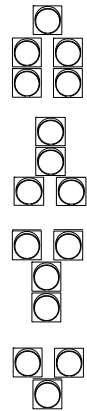
Cluster Assemblies

Designed to accommodate all traffic signals, with the exception of the optically programmed (see T1-18 through T1-21). The cluster assembly with cast uppers is designed to mount 3, 4 or 5-section clusters in various configurations to any size of mast arm or pole.

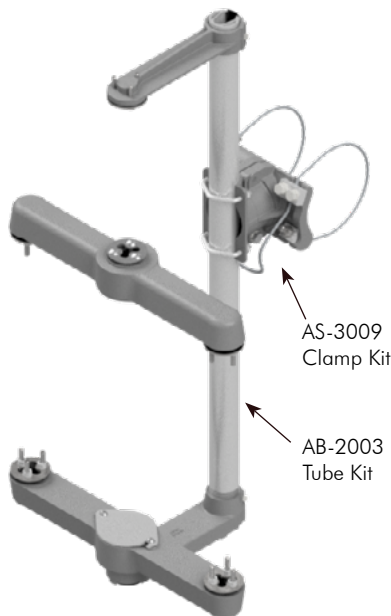


Astro-Brac Galaxy Assy, Cluster w/ 17" CTC Cast Uppers Cable Mount

AG-0168 - - -
 See Note Blank=Galv PNC=Process No Color
 SS=Stainless P__=Paint

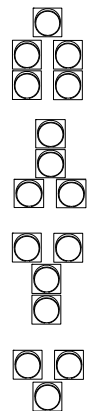


Note:
 Cable Length: 62", 84", 96", 110", 120", 132", 144", 220", or 280".



Astro-Brac Stellar Assy, Cluster w/ 17" CTC Cast Uppers Cable Mount

AS-0168 - - -
 See Note Blank=Galv PNC=Process No Color
 SS=Stainless P__=Paint



Note:
 Cable Length: 62", 84", 96", 110", 120", 132", 144", 220", or 280".

Note: 1. All assemblies are supplied standard with stainless steel slotted washers and fasteners.
 2. See Reference Section for clamp kit pole diameters.
 3. See Reference Section for available paint colors.



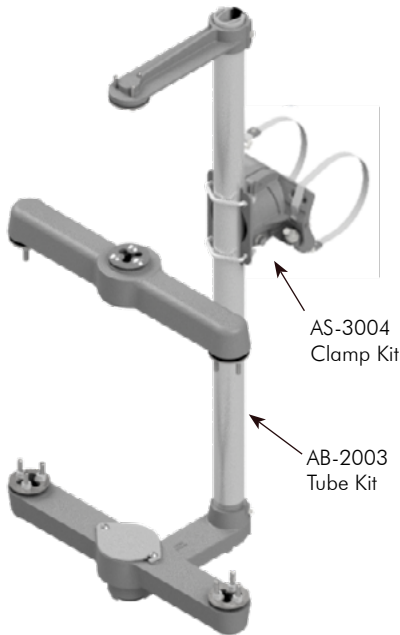
Cluster Assemblies

Designed to accommodate all traffic signals, with the exception of the optically programmed (see T1-18 through T1-21). The cluster assembly with cast uppers is designed to mount 3, 4 or 5-section clusters in various configurations to any size of mast arm or pole.



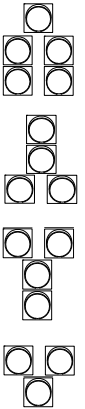
Astro-Brac

pelco
PELCO PRODUCTS, INC.

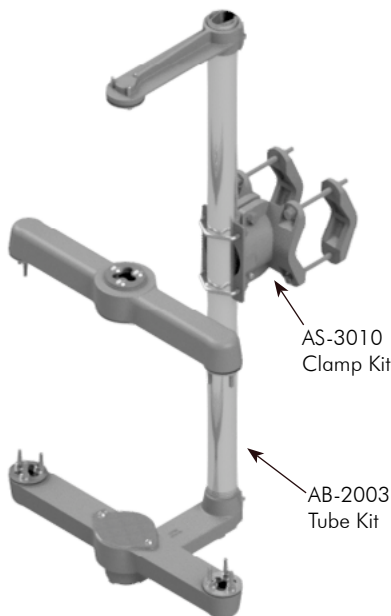


Astro-Brac Stellar Assy, Cluster w/ 17" CTC Cast Uppers Band Mount

AS-0167 - -
 See Note PNC=Process No Color
 P__=Paint

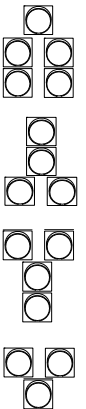


Note:
 Band Length: 29", 36", 42", 48", 56", 72", 84", 96", or 114".



Astro-Brac Stellar Assy, Cluster w/ 17" CTC Cast Uppers Tenon Mount

AS-0679 -
 PNC=Process No Color
 P__=Paint



Note:
 Fits 1.9" to 4.5" diameter.

- Note: 1. All assemblies are supplied standard with stainless steel slotted washers and fasteners.
 2. See Reference Section for clamp kit pole diameters.
 3. See Reference Section for available paint colors.

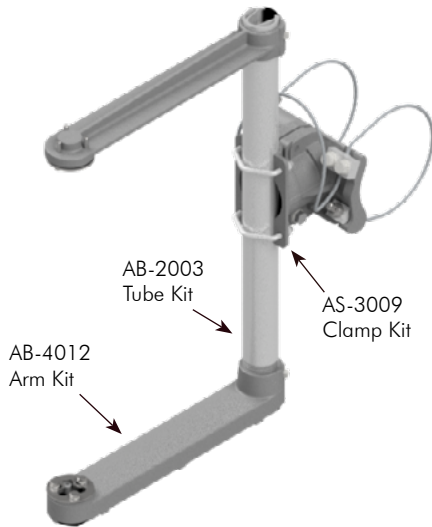


1-Way Pedestrian Assemblies

With the extended arms this bracket assembly is designed to accommodate the pedestrian signal. The Stellar Astro-Brac features all-axis adjustability and is designed to facilitate the mounting of a ped signal to any shape pole.



Astro-Brac Stellar Assy, 1-Way for ICC Ped Head Cable Mount



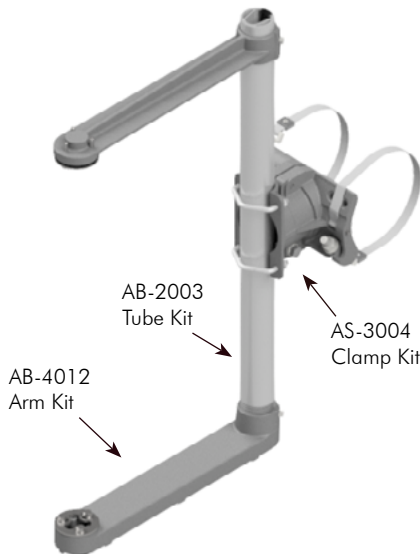
AS-0157 - - -

Cable Length Cable Coating
 See Note Blank=Galv PNC=Process No Color
 SS=Stainless P__=Paint



Note:
 Cable Length: 62", 84", 96", 110", 120", 132", 144", 220", or 280".

Astro-Brac Stellar Assy, 1-Way for ICC Ped Head Band Mount



AS-0133 - - -

Band Length Clamp Screw Coating
 See Note Blank=Galv PNC=Process No Color
 SS=Stainless P__=Paint



Note:
 Band Length: 29", 36", 42", 48", 56", 72", 84", 96", or 114".

Note: 1. All assemblies are supplied standard with stainless steel slotted washers and fasteners.
 2. See Reference Section for clamp kit pole diameters.
 3. See Reference Section for available paint colors.



Astro-Brac

pelco
 PELCO PRODUCTS, INC.

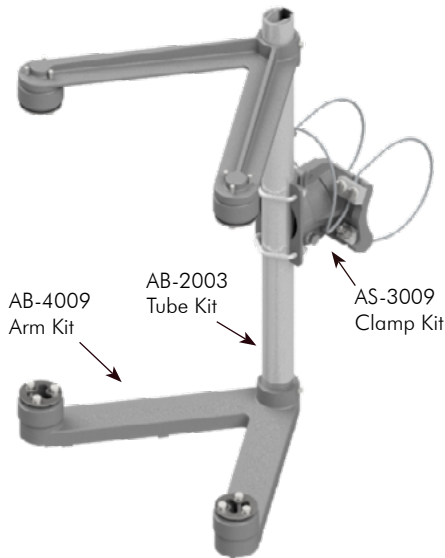
2-Way Pedestrian Assemblies

With the extended arms this bracket assembly is designed to accommodate the pedestrian signal. The Stellar Astro-Brac features all-axis adjustability and is designed to facilitate the mounting of two ped signals to any shape pole.



Astro-Brac

Astro-Brac Stellar Assy, 2-Way for ICC Ped Heads Cable Mount



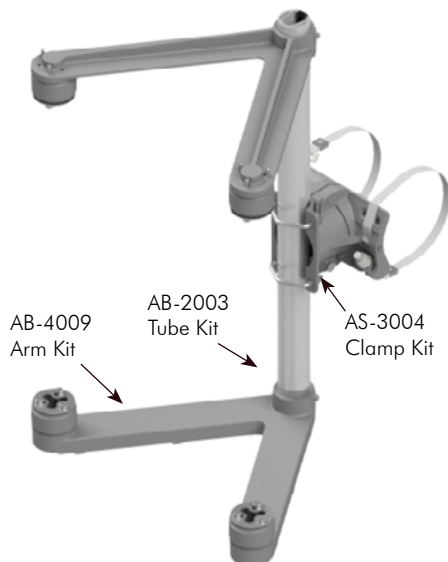
AS-0158 - - -

Cable Length Cable Coating
 See Note Blank=Galv PNC=Process No Color
 SS=Stainless P__=Paint



Note:
 Cable Length: 62", 84", 96", 110", 120", 132", 144", 220", or 280".

Astro-Brac Stellar Assy, 2-Way for ICC Ped Heads Band Mount



AS-0131 - - -

Band Length Clamp Screw Coating
 See Note Blank=Galv PNC=Process No Color
 SS=Stainless P__=Paint



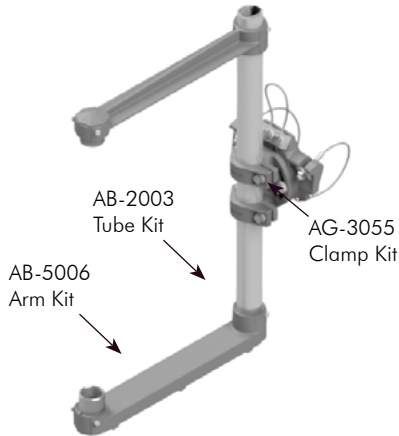
Note:
 Band Length: 29", 36", 42", 48", 56", 72", 84", 96", or 114".

- Note: 1. All assemblies are supplied standard with stainless steel slotted washers and fasteners.
 2. See Reference Section for clamp kit pole diameters.
 3. See Reference Section for available paint colors.



1-Way OPS Assemblies

Designed to accommodate optically programmed signal heads. The Astro-Brac features all-axis adjustability and is designed to facilitate the mounting of any size OPS signal to any shape of mast arm or pole.

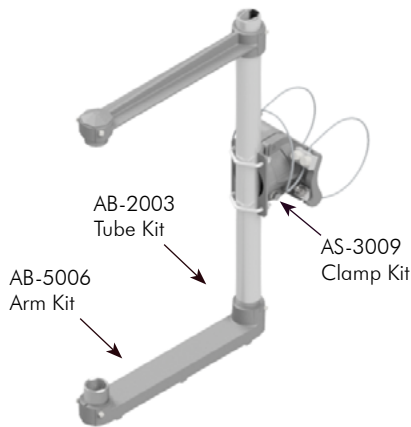


Astro-Brac Galaxy Assy, 1-Way for OPS Signals Cable Mount, 1-1/2" NPS

AG-0151	-	Signal Section	-	Cable Length	-	Cable	-	Coating
		3=3 Sec		See Note		Blank=Galv		PNC=Process No Color
		4=4 Sec				SS=Stainless		P__=Paint
		5=5 Sec						



Note:
Cable Length: 62", 84", 96", 110", 120", 132", 144", 220", or 280".

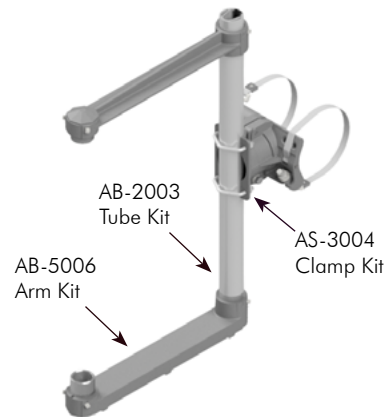


Astro-Brac Stellar Assy, 1-Way for OPS Signals Cable Mount, 1-1/2" NPS

AS-0151	-	Signal Section	-	Cable Length	-	Cable	-	Coating
		3=3 Sec		See Note		Blank=Galv		PNC=Process No Color
		4=4 Sec				SS=Stainless		P__=Paint
		5=5 Sec						



Note:
Cable Length: 62", 84", 96", 110", 120", 132", 144", 220", or 280".



Astro-Brac Stellar Assy, 1-Way for OPS Signals Band Mount, 1-1/2" NPS

AS-0152	-	Signal Section	-	Band Length	-	Clamp Screw	-	Coating
		3=3 Sec		See Note		Blank=Galv		PNC=Process No Color
		4=4 Sec				SS=Stainless		P__=Paint
		5=5 Sec						



Note:
Band Length: 29", 36", 42", 48", 56", 72", 84", 96", or 114".

- Note: 1. All assemblies are supplied standard with stainless steel slotted washer and fasteners.
2. See Reference Section for clamp kit pole diameters.
3. See Reference Section for available paint colors.



Astro-Brac

pelco
PELCO PRODUCTS, INC.

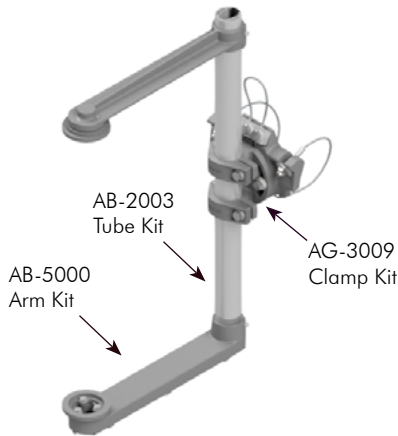
1-Way OPS Assemblies

Designed to accommodate optically programmed signal heads. The Astro-Brac features all-axis adjustability and is designed to facilitate the mounting of any size OPS signal to any shape of mast arm or pole.



Astro-Brac

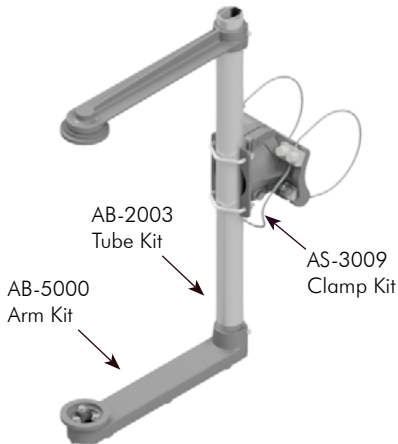
pelco
PELCO PRODUCTS, INC.



Astro-Brac Galaxy Assy, 1-Way for OPS Signals Cable Mount, Tri-Bolt

AG-0633	-	<input type="text"/>	-	<input type="text"/>	-	<input type="text"/>	-	<input type="text"/>
		Signal Section		Cable Length		Cable		Coating
		3=3 Sec		See Note		Blank=Galv		PNC=Process No Color
		4=4 Sec				SS=Stainless		P__=Paint
		5=5 Sec						

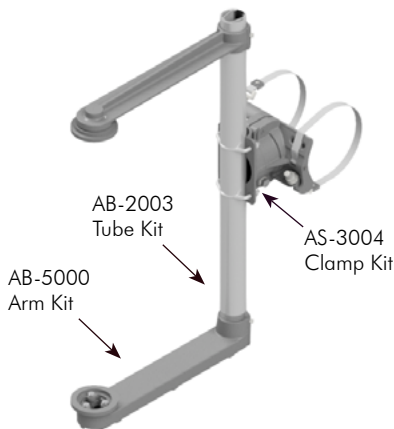
Note:
Cable Length: 62", 84", 96", 110", 120", 132", 144", 220", or 280".



Astro-Brac Stellar Assy, 1-Way for OPS Signals Cable Mount, Tri-Bolt

AS-0633	-	<input type="text"/>	-	<input type="text"/>	-	<input type="text"/>	-	<input type="text"/>
		Signal Section		Cable Length		Cable		Coating
		3=3 Sec		See Note		Blank=Galv		PNC=Process No Color
		4=4 Sec				SS=Stainless		P__=Paint
		5=5 Sec						

Note:
Cable Length: 62", 84", 96", 110", 120", 132", 144", 220", or 280".



Astro-Brac Stellar Assy, 1-Way for OPS Signals Band Mount, Tri-Bolt

AS-0103	-	<input type="text"/>	-	<input type="text"/>	-	<input type="text"/>	-	<input type="text"/>
		Signal Section		Band Length		Clamp Screw		Coating
		3=3 Sec		See Note		Blank=Galv		PNC=Process No Color
		4=4 Sec				SS=Stainless		P__=Paint
		5=5 Sec						

Note:
Band Length: 29", 36", 42", 48", 56", 72", 84", 96", or 114".



- Note: 1. All assemblies are supplied standard with stainless steel slotted washer and fasteners.
2. See Reference Section for clamp kit pole diameters.
3. See Reference Section for available paint colors.

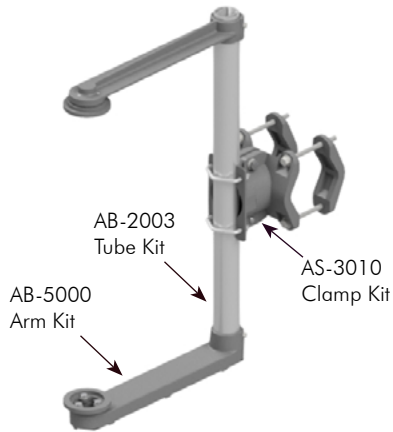


1-Way OPS Assemblies

Designed to accommodate optically programmed signal heads. The Astro-Brac features all-axis adjustability and is designed to facilitate the mounting of any size OPS signal to any shape of mast arm or pole.



Astro-Brac Stellar Assy, 1-Way for OPS Signals Tenon Mount, Tri-Bolt



	Signal Section		Coating
AS-0143	-	<input type="checkbox"/>	-
		3=3 Sec	PNC=Process No Color
		4=4 Sec	P__=Paint
		5=5 Sec	



Note:
Fits 1.9" to 4.5" diameter.

Astro-Brac



 PELCO PRODUCTS, INC.

- Note: 1. All assemblies are supplied standard with stainless steel washers and fasteners.
 2. See Reference Section for clamp kit pole diameters.
 3. See Reference Section for available paint colors.

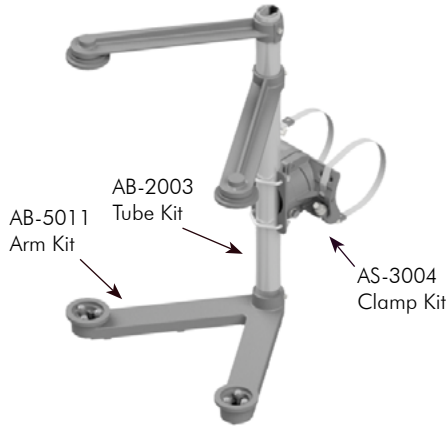


Variable OPS Assemblies

Designed to accommodate optically programmed signal heads. The 2-Way Variable OPS bracket features all-axis adjustability and is designed to facilitate the mounting of unbalanced signal combinations to any shape mast arm or pole.



Astro-Brac



Astro-Brac Stellar Assy, 2-Way Variable for OPS Signals Band Mount

	Signal Section	Band Length	Clamp Screw	Coating
AS-0192	- <input type="text"/>	- <input type="text"/>	- <input type="text"/>	- <input type="text"/>
	2=2 Sec 3=3 Sec 4=4 Sec 5=5 Sec	See Note	Blank=Galv SS=Stainless	PNC=Process No Color P__=Paint



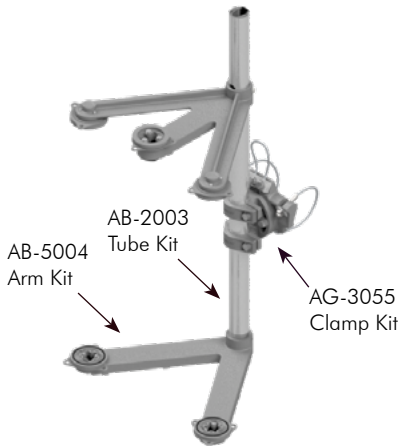
Note:
Band Length: 29", 36", 42", 48", 56", 72", 84", 96", or 114".

- Note: 1. All assemblies are supplied standard with stainless steel slotted washer and fasteners.
2. See Reference Section for clamp kit pole diameters.
3. See Reference Section for available paint colors.



Cluster OPS Assemblies

Designed to accommodate optically programmed signal heads. The Cluster OPS bracket features all-axis adjustability and is designed to facilitate the mounting of any size OPS signal to any shape of mast arm or pole.



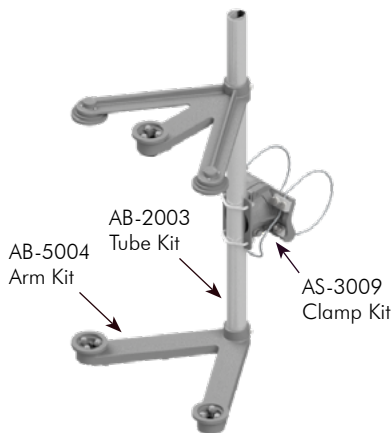
Astro-Brac Galaxy Assy, 5-Sec Cluster for OPS Signals Cable Mount, Tri-Bolt

AG-0199 - - -

Cable Length: See Note
 Cable: Blank=Galv, SS=Stainless
 Coating: PNC=Process No Color, P__=Paint



Note:
 Cable Length: 62", 84", 96", 110", 120", 132", 144", 220", or 280".



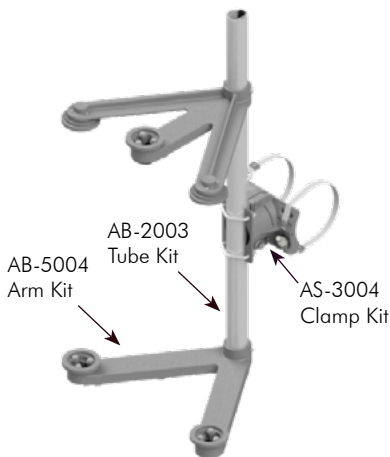
Astro-Brac Stellar Assy, 5-Sec Cluster for OPS Signals Cable Mount

AS-0199 - - -

Cable Length: See Note
 Cable: Blank=Galv, SS=Stainless
 Coating: PNC=Process No Color, P__=Paint



Note:
 Cable Length: 62", 84", 96", 110", 120", 132", 144", 220", or 280".



Astro-Brac Stellar Assy, 5-Sec Cluster for OPS Signals Band Mount

AS-0191 - - -

Band Length: See Note
 Clamp Screw: Blank=Galv, SS=Stainless
 Coating: PNC=Process No Color, P__=Paint



Note:
 Band Length: 29", 36", 42", 48", 56", 72", 84", 96", or 114".

Note: 1. All assemblies are supplied standard with stainless steel slotted washer and fasteners.
 2. See Reference Section for clamp kit pole diameters.
 3. See Reference Section for available paint colors.

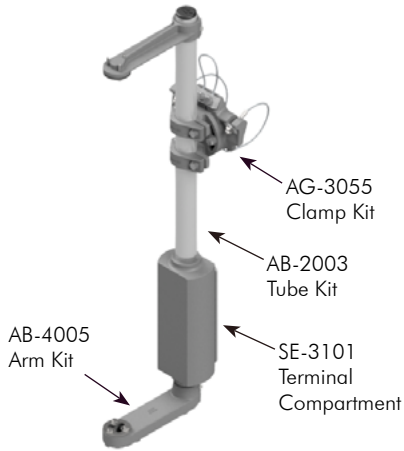


Terminal Compartment Assemblies

Pelco's in-line Astro-Brac terminal compartment assemblies satisfy the need of a terminal compartment without sacrificing all-axis adjustability. Available in cable or band mount.



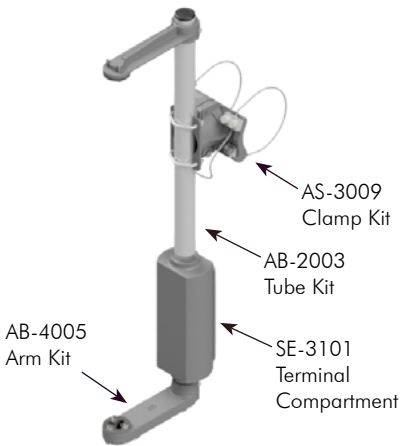
Astro-Brac



Astro-Brac Galaxy Assy, 1-Way Terminal Compartment Cable Mount

AG-0620	-	<input type="text"/>	-	<input type="text"/>	-	<input type="text"/>	-	<input type="text"/>
		Signal Section		Cable Length		Cable		Coating
		3=3 Sec		See Note		Blank=Galv		PNC=Process No Color
		4=4 Sec				SS=Stainless		P__=Paint
		5=5 Sec						

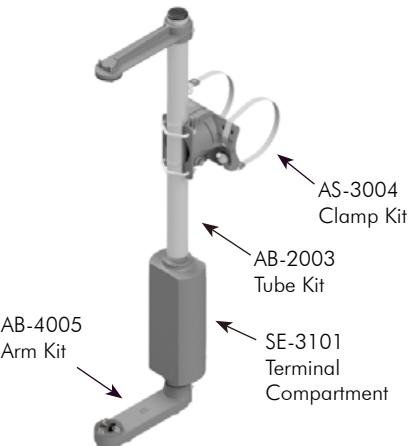
Note:
Cable Length: 62", 84", 96", 110", 120", 132", 144", 220", or 280".



Astro-Brac Stellar Assy, 1-Way Terminal Compartment Cable Mount

AS-0620	-	<input type="text"/>	-	<input type="text"/>	-	<input type="text"/>	-	<input type="text"/>
		Signal Section		Cable Length		Cable		Coating
		3=3 Sec		See Note		Blank=Galv		PNC=Process No Color
		4=4 Sec				SS=Stainless		P__=Paint
		5=5 Sec						

Note:
Cable Length: 62", 84", 96", 110", 120", 132", 144", 220", or 280".



Astro-Brac Stellar Assy, 1-Way Terminal Compartment Band Mount

AS-0112	-	<input type="text"/>	-	<input type="text"/>	-	<input type="text"/>	-	<input type="text"/>
		Signal Section		Band Length		Clamp Screw		Coating
		3=3 Sec		See Note		Blank=Galv		PNC=Process No Color
		4=4 Sec				SS=Stainless		P__=Paint
		5=5 Sec						

Note:
Band Length: 29", 36", 42", 48", 56", 72", 84", 96", or 114".

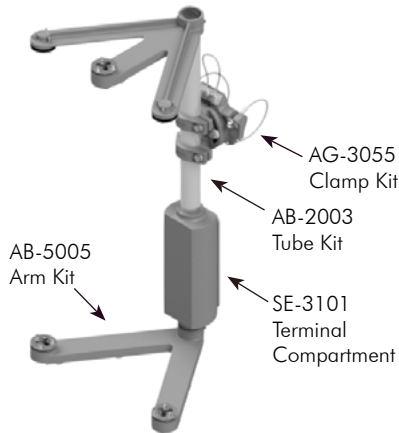


- Note: 1. All assemblies are supplied standard with stainless steel slotted washer and fasteners.
2. See Reference Section for clamp kit pole diameters.
3. See Reference Section for available paint colors.



Terminal Compartment Assemblies

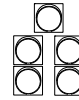
Pelco's in-line Astro-Brac terminal compartment assemblies satisfy the need of a terminal compartment without sacrificing all-axis adjustability. Available in cable or band mount.



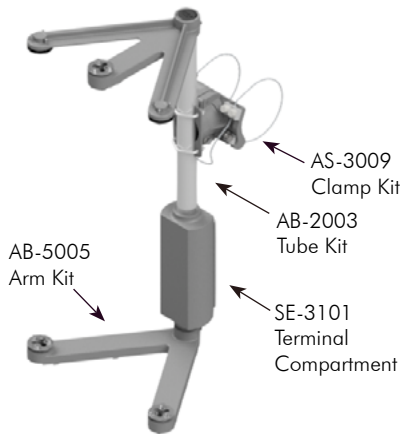
Astro-Brac Galaxy Assy, 5-Sec Cluster Terminal Compartment Cable Mount

AG-0621 - - -

Cable Length: See Note
Cable: Blank=Galv, SS=Stainless
Coating: PNC=Process No Color, P_=_=Paint



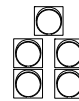
Note:
Cable Length: 62", 84", 96", 110", 120", 132", 144", 220", or 280".



Astro-Brac Stellar Assy, 5-Sec Cluster Terminal Compartment Cable Mount

AS-0621 - - -

Cable Length: See Note
Cable: Blank=Galv, SS=Stainless
Coating: PNC=Process No Color, P_=_=Paint



Note:
Cable Length: 62", 84", 96", 110", 120", 132", 144", 220", or 280".

- Note: 1. All assemblies are supplied standard with stainless steel slotted washer and fasteners.
2. See Reference Section for clamp kit pole diameters.
3. See Reference Section for available paint colors.

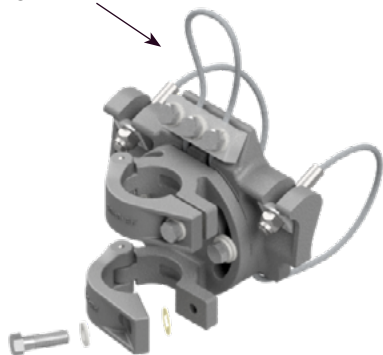


Galaxy Series Clamp Kits

The Galaxy is designed using a single cable plate which allows for easy installation, as well as the multi-directional adjustable tube saddle for strength. These high tensile aluminum alloy clamp kits provide strength with maximum adjustability and complete clamping versatility. Comes complete with all necessary attaching hardware.



AB-0512
Cable Kit



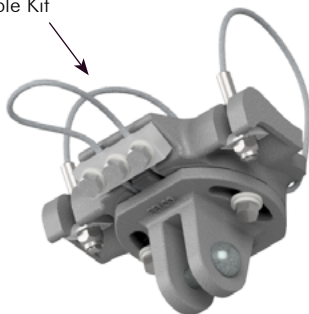
Astro-Brac, Galaxy Hinged Clamp Kit, Cable Mount

AG-3055 - - -

Cable Length	Cable	Coating
See Note	Blank=Galv SS=Stainless	PNC=Process No Color P_ =Paint

Note:
Cable Length: 62", 84", 96", 110", 120", 132", 144", 220", or 280".

AB-0512
Cable Kit



Astro-Brac, Galaxy Series Clamp Kit, Cable Mount, 3/4" Clevis, Free-Swinging

AG-3014 - - - -

Cable Length	Stainless Upgrade	Bushing	Coating
See Note	Blank=Galv SS=Stainless	SB=Stainless Bushing	PNC=Process No Color P_ =Paint

Note:
Cable Length: 62", 84", 96", 110", 120", 132", 144", 220", or 280".
Stainless upgrade to include stainless cable and pins.

- Note: 1. All assemblies are supplied standard with stainless steel fasteners.
2. See Reference Section for clamp kit pole diameters.
3. See Reference Section for available paint colors.

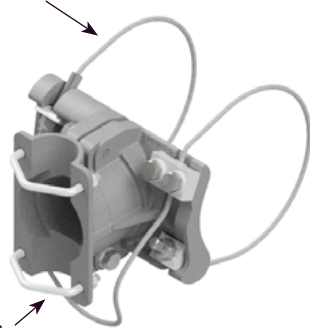


Stellar Series Clamp Kits

These high tensile aluminum alloy clamp kits provide strength with maximum adjustability and complete clamping versatility. The 2-piece clamp features a strong clamping method with quick and easy installation. Supplied with all necessary attaching hardware.



AB-0512
Cable Kit



AB-0256
V-Bolt Kit

Astro-Brac, Stellar Series Clamp Kit, Cable Mount

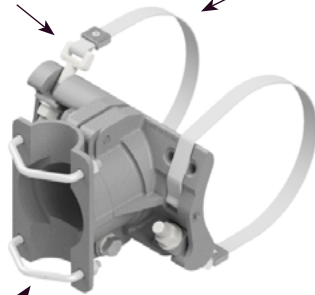
AS-3009 - - -

See Note Blank=Galv PNC=Process No Color
SS=Stainless P__=Paint

Note:
Cable Length: 62", 84", 96", 110", 120", 132", 144", 220", or 280".

AB-0204
Clamp Screw Kit

AB-0243
Band Kit



AB-0256
V-Bolt Kit

Astro-Brac, Stellar Series Clamp Kit, Band Mount

AS-3004 - - -

See Note Blank=Galv PNC=Process No Color
SS=Stainless P__=Paint

Note:
Band Length: 29", 36", 42", 48", 56", 72", 84", 96", or 114".

Astro-Brac, Stellar Series Clamp Kit, Tenon Mount



AB-0256
V-Bolt Kit

AS-3010 -

PNC=Process No Color
P__=Paint

Note: Fits 1.9" to 4.5" diameter.
Application Note: Used on trombone style arm.

Note: 1. All assemblies are supplied standard with stainless steel fasteners.
2. See Reference Section for clamp kit pole diameters.
3. See Reference Section for available paint colors.



Astro-Brac

pelco
PELCO PRODUCTS, INC.

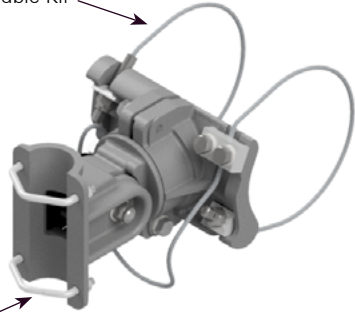
Atlas Series Clamp Kits

These aluminum serrated articulating clamp kits were specifically designed to accommodate larger conduit. The 3 axis adjustability provides complete clamping versatility. They feature stainless steel bands or high strength galvanized or stainless steel aircraft cable. Supplied complete with all necessary attaching hardware.



Astro-Brac

AB-0512
Cable Kit



Astro-Brac, Atlas Series Clamp Kit, Articulated Serrated Cable Mount

AS-3026 - - -

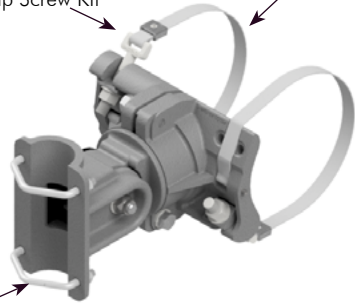
See Note Blank=Galv PNC=Process No Color
 SS=Stainless P__=Paint

Note:
Cable Length: 62", 84", 96", 110", 120", 132", 144", 220", or 280".

AB-0256
V-Bolt Kit

AB-0204
Clamp Screw Kit

AB-0243
Band Kit



Astro-Brac, Atlas Series Clamp Kit, Articulated Serrated Band Mount

AS-3029 - - -

See Note Blank=Galv PNC=Process No Color
 SS=Stainless P__=Paint

Note:
Band Length: 29", 36", 42", 48", 56", 72", 84", 96", or 114".

AB-0256
V-Bolt Kit

Astro-Brac, Atlas Series Clamp Kit, Articulated Serrated Tenon Mount

AS-3030 -

Coating

PNC=Process No Color
P__=Paint

Note:
Fits 1.9" to 4.5" diameter.

AB-0256
V-Bolt Kit

Astro-Brac, Atlas Series Clamp Kit, Articulated Serrated Tenon Mount

AB-3051 -

Coating

PNC=Process No Color
P__=Paint

Note:
Fits 2-3/8" diameter.

AB-0256
V-Bolt Kit

- Note: 1. All assemblies are supplied standard with stainless steel fasteners.
2. See Reference Section for clamp kit pole diameters.
3. See Reference Section for available paint colors.

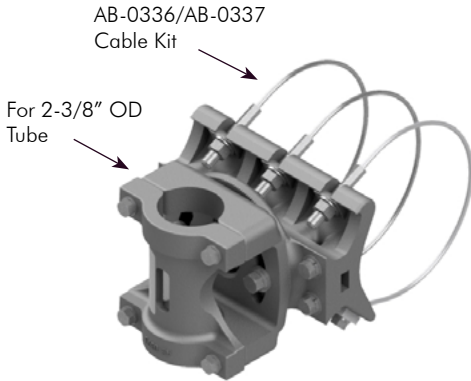


Triton Series Clamp Kits

These high tensile aluminum alloy clamp kits provide strength with maximum adjustability and complete clamping versatility. The Triton clamp kits utilize three bands or cables and are designed to be used with a 2-3/8" diameter tube. Comes complete with all necessary attaching hardware.



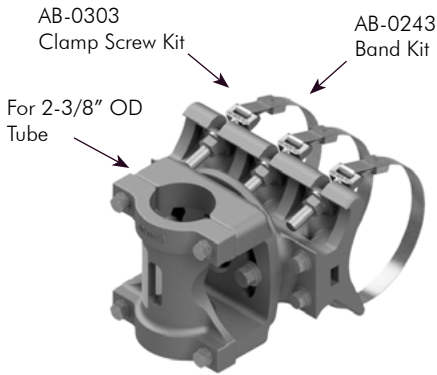
Astro-Brac, Triton Series Clamp Kit for 2" Tube Cable Mount



AB-3040 - - -
 See Note Blank=Galv PNC=Process No Color
 SS=Stainless P__=Paint

Note:
 Cable Length: 45", 62", or 84".

Astro-Brac, Triton Series Clamp Kit for 2" Tube Band Mount



AB-3039 - - -
 See Note Blank=Galv PNC=Process No Color
 SS=Stainless P__=Paint

Note:
 Band Length: 29", 42", 56", 72", or 84".

Note: 1. All assemblies are supplied standard with stainless steel fasteners.
 2. See Reference Section for clamp kit pole diameters.
 3. See Reference Section for available paint colors.



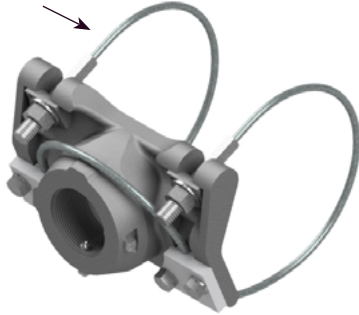
Cable Mount Clamp Kits

These high tensile aluminum alloy clamp kits provide strength with maximum adjustability and complete clamping versatility. They feature high strength galvanized or stainless steel aircraft cable. Supplied complete with all necessary attaching hardware.



Astro-Brac

AB-0280/AB-0320
Cable Kit



Astro-Brac Clamp Kit, 1-1/2" NPS Cable Mount

AB-3034 - - -

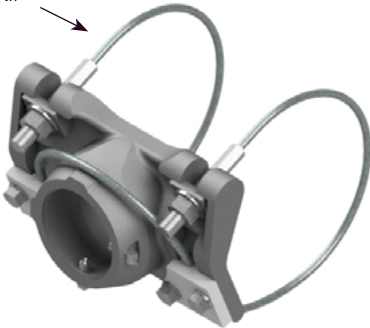
Cable Length Cable Coating

See Note Blank=Galv PNC=Process No Color

SS=Stainless P__=Paint

Note:
Cable Length: 62", 84", 96", 110", 120", 132", 144", 220", or 280".

AB-0280/AB-0320
Cable Kit



Astro-Brac Clamp Kit, 2" NPS Cable Mount

AB-3035 - - -

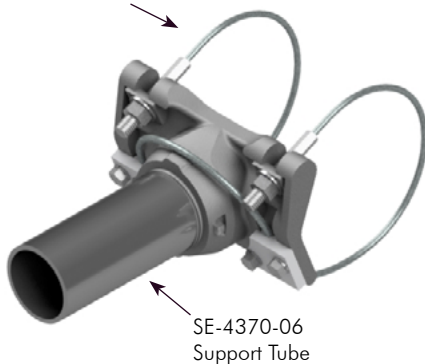
Cable Length Cable Coating

See Note Blank=Galv PNC=Process No Color

SS=Stainless P__=Paint

Note:
Cable Length: 62", 84", 96", 110", 120", 132", 144", 220", or 280".

AB-0280/AB-0320
Cable Kit



SE-4370-06
Support Tube

Astro-Brac Clamp Kit, 2" NPS x 6" Plumbizer Tube Cable Mount

AB-3053 - - -

Cable Length Cable Coating

See Note Blank=Galv PNC=Process No Color

SS=Stainless P__=Paint

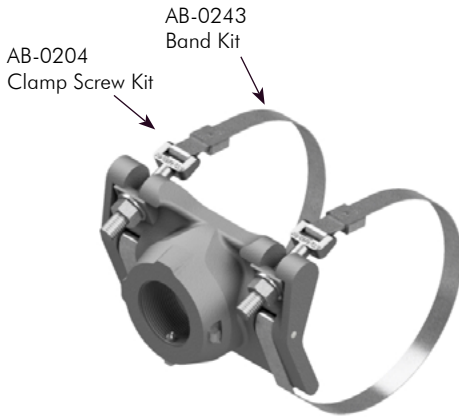
Note:
Cable Length: 62", 84", 96", 110", 120", 132", 144", 220", or 280".

Note: 1. All assemblies are supplied standard with stainless steel fasteners.
2. See Reference Section for clamp kit pole diameters.
3. See Reference Section for available paint colors.



Band Mount Clamp Kits

These high tensile aluminum alloy clamp kits provide strength with maximum adjustability and complete clamping versatility. They feature forged galvanized clamp screws which allow easy signal mounting on any size signal pole. Supplied complete with all necessary attaching hardware.

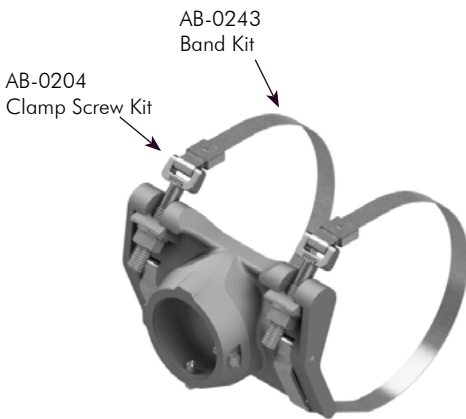


Astro-Brac Clamp Kit, 1-1/2" NPS Band Mount

AB-3006 - - -

See Note Blank=Galv PNC=Process No Color
 SS=Stainless P__=Paint

Note:
 Band Length: 29", 36", 42", 48", 56", 72", 84", 96", or 114".

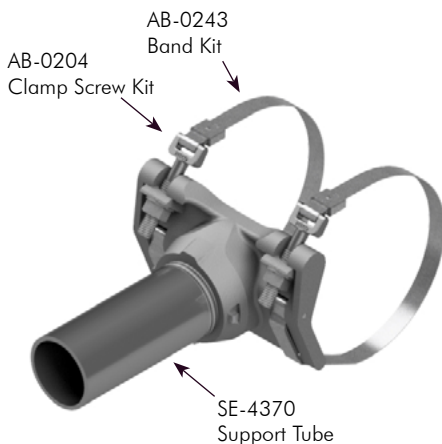


Astro-Brac Clamp Kit, 2" NPS Band Mount

AB-3007 - - -

See Note Blank=Galv PNC=Process No Color
 SS=Stainless P__=Paint

Note:
 Band Length: 29", 36", 42", 48", 56", 72", 84", 96", or 114".



Astro-Brac Clamp Kit, w/ 2" NPS Plumbizer Tube Band Mount

AB-3008 - - -

See Note Blank=Galv PNC=Process No Color
 SS=Stainless P__=Paint

Note:
 Band Length: 29", 36", 42", 48", 56", 72", 84", 96", or 114".

- Note: 1. All assemblies are supplied standard with stainless steel fasteners.
 2. See Reference Section for clamp kit pole diameters.
 3. See Reference Section for available paint colors.



Mini-Brac Clamp Kits

This unique mount is a smaller version of the Astro-Brac and gives the same kind of universal application. Ideal for side-of-pole or mast arm mountings for vehicle or pedestrian signals and emergency traffic signal sensors.



AB-0336/AB-0337
Cable Kit

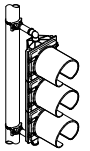


Astro Mini-Brac Clamp Kit, 1-1/2" NPS Cable Mount

	Cable Length	Cable	Coating
AB-0160	- <input type="text"/>	- <input type="text"/>	- <input type="text"/>
	See Note	Blank=Galv SS=Stainless	PNC=Process No Color P__=Paint

Note:
Cable Length: 45", 62", or 84".

Side-of-Pole Mounting
Vehicular or Pedestrian Signals



AB-0303
Clamp Screw Kit

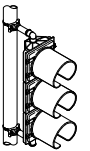


Astro Mini-Brac Clamp Kit, 1-1/2" NPS Band Mount,

	Cable Length	Clamp Screw	Coating
AB-0121	- <input type="text"/>	- <input type="text"/>	- <input type="text"/>
	See Note	Blank=Galv SS=Stainless	PNC=Process No Color P__=Paint

Note:
Band Length: 29", 36", 42", 48", 56", 72", 84", 96", or 114".

Side-of-Pole Mounting
Vehicular or Pedestrian Signals



AB-0336/AB-0337
Cable Kit

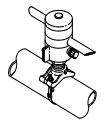


Astro Mini-Brac Clamp Kit, 3/4"-14 NPT Cable Mount

	Cable Length	Cable	Coating
AB-0163	- <input type="text"/>	- <input type="text"/>	- <input type="text"/>
	See Note	Blank=Galv SS=Stainless	PNC=Process No Color P__=Paint

Note:
Cable Length: 45", 62", or 84".

Mast Arm Mounting
Emergency Traffic Signal Sensor



AB-0303
Clamp Screw Kit

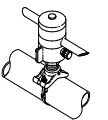


Astro Mini-Brac Clamp Kit, 3/4"-14 NPT Band Mount

	Cable Length	Clamp Screw	Coating
AB-0155	- <input type="text"/>	- <input type="text"/>	- <input type="text"/>
	See Note	Blank=Galv SS=Stainless	PNC=Process No Color P__=Paint

Note:
Band Length: 29", 36", 42", 48", 56", 72", 84", 96", or 114".

Mast Arm Mounting
Emergency Traffic Signal Sensor



- Note: 1. All assemblies are supplied standard with stainless steel fasteners.
2. See Reference Section for clamp kit pole diameters.
3. See Reference Section for available paint colors.



This page is intentionally left blank.

Astro-Brac



1-Way Astro-Brac Arm Kits

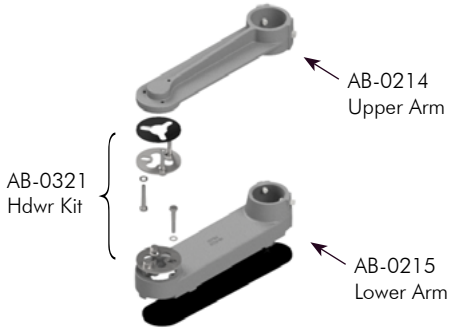
All Pelco arm kits are durable aluminum alloy castings. Various styles are available to fit any manufacturer's signal. They allow positive positioning of the signal head without misalignment. Supplied complete with stainless steel hardware and wire covers.



Astro-Brac

Pelco
PELCO PRODUCTS, INC.

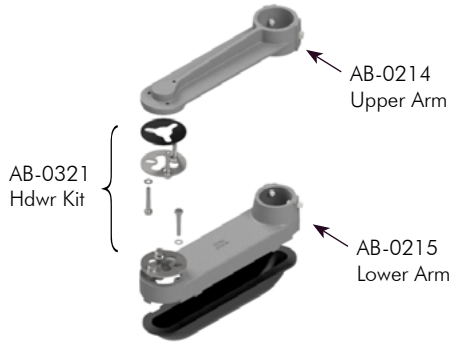
1-Way Kit, 8-1/2" CTC, Alum



AB-4005 - Coating
PNC=Process No Color
P__=Paint



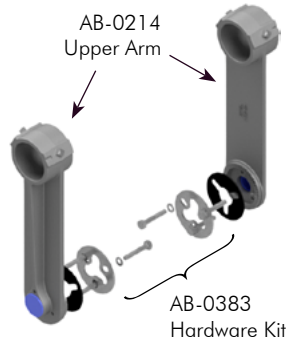
1-Way Arm Kit, 8-1/2" CTC, Alum Large Capacity,



AS-4005 - Coating
PNC=Process No Color
P__=Paint



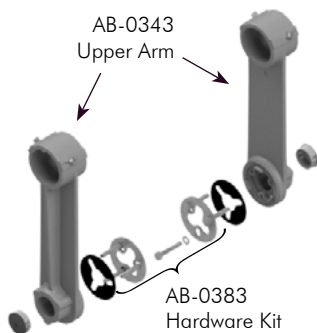
1-Way Arm Kit, 8-1/2" CTC, Alum Tapped for 3/4" CGB



AB-4013 - Coating
PNC=Process No Color
P__=Paint



1-Way Arm Kit, 8-1/2" CTC, Alum Tapped for 1" CGB



AB-4010 - Coating
PNC=Process No Color
P__=Paint

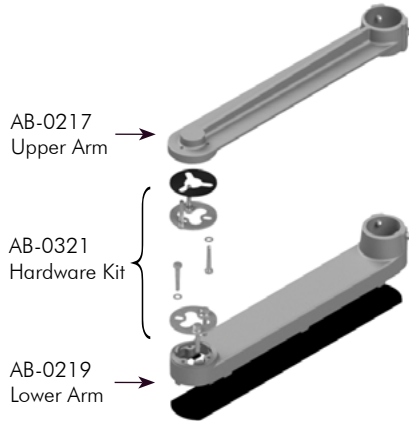


Note: 1. All assemblies are supplied standard with stainless steel washer and fasteners.
2. See Reference Section for available paint colors.



1-Way Astro-Brac Arm Kits

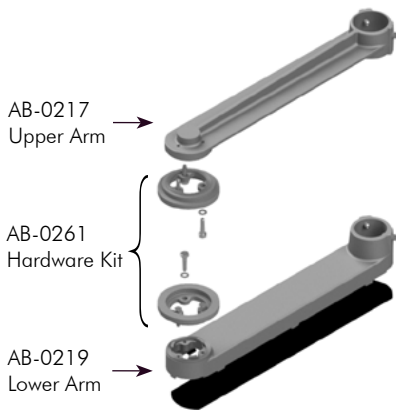
All Pelco arm kits are durable aluminum alloy castings. Various styles are available to fit any manufacturer's signal. They allow positive positioning of the signal head without misalignment. Supplied complete with stainless steel hardware and wire covers.



1-Way Arm Kit, 14" CTC, Alum for ICC Ped Head

AB-4012 -

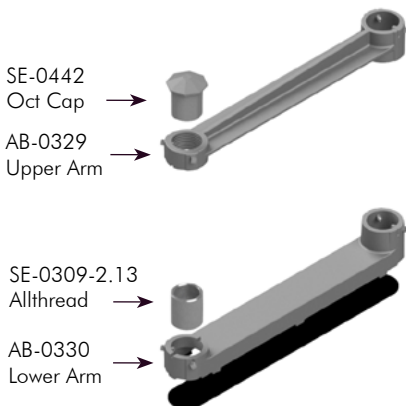
Coating
PNC=Process No Color
P__=Paint



1-Way Arm Kit, 14" CTC, Alum for 3M OPS Signals, Tri-Stud

AB-5000 -

Coating
PNC=Process No Color
P__=Paint



1-Way Arm Kit, 16" CTC, for OPS Signals, 1-1/2" NPS

AB-5006 -

Coating
PNC=Process No Color
P__=Paint



Note: 1. All assemblies are supplied standard with stainless steel slotted washer and fasteners.
2. See Reference Section for available paint colors.



Astro-Brac

pelco
PELCO PRODUCTS, INC.

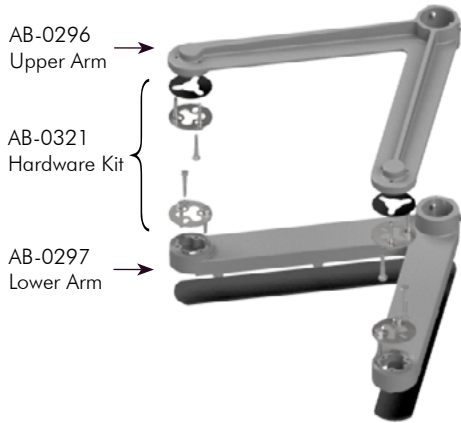
2-Way Astro-Brac Arm Kits

All Pelco arm kits are durable aluminum alloy castings. Various styles are available to fit any manufacturer's signal. They allow positive positioning of the signal head without misalignment. Supplied complete with stainless steel hardware and wire covers.



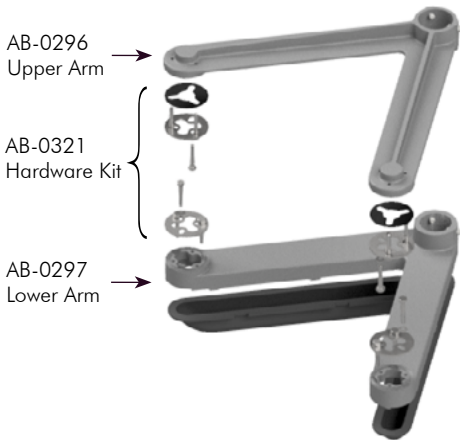
Astro-Brac

pelco
PELCO PRODUCTS, INC.



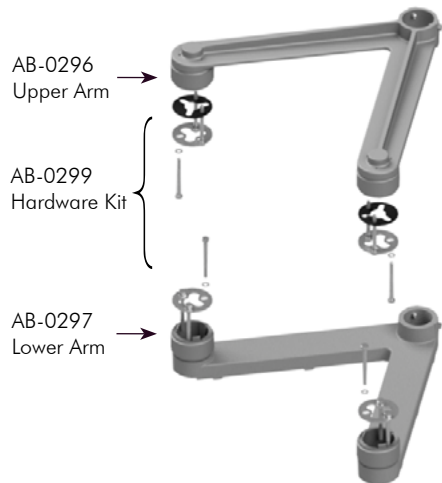
2-Way Arm Kit, 16" CTC, Alum

AB-5008 - Coating
 PNC=Process No Color
 P__=Paint



2-Way Arm Kit, 16" CTC, Alum Large Capacity

AS-5008 - Coating
 PNC=Process No Color
 P__=Paint



2-Way Arm Kit, 16" CTC, Alum for ICC Ped Head

AB-4009 - Coating
 PNC=Process No Color
 P__=Paint

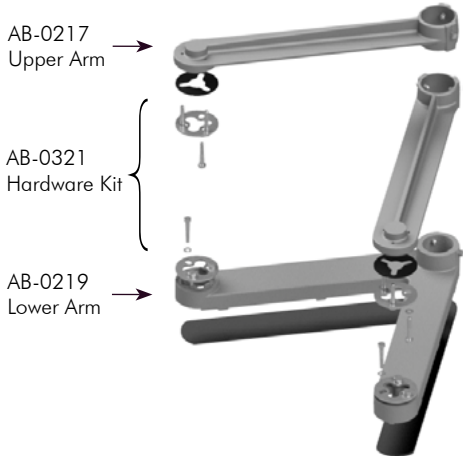


Note: 1. All assemblies are supplied standard with stainless steel fasteners.
 2. See Reference Section for available paint colors.



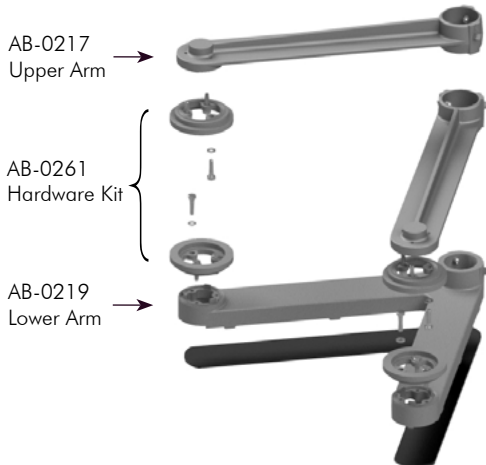
2-Way Variable Astro-Brac Arm Kits

All Pelco arm kits are durable aluminum alloy castings. Various styles are available to fit any manufacturer's signal. They allow positive positioning of the signal head without misalignment. Supplied complete with stainless steel hardware and wire covers.



2-Way Variable Arm Kit, 16" CTC, Alum

AB-5007 - Coating
 PNC=Process No Color
 P__=Paint



2-Way Variable Arm Kit, 16" CTC, Alum for OPS Signals

AB-5011 - Coating
 PNC=Process No Color
 P__=Paint



Note: 1. All assemblies are supplied standard with stainless steel fasteners.
 2. See Reference Section for available paint colors.



Cluster Astro-Brac Arm Kits

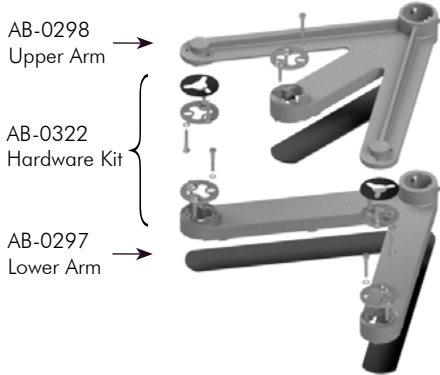
All Pelco arm kits are durable aluminum alloy castings. Various styles are available to fit any manufacturer's signal. They allow positive positioning of the signal head without misalignment. Supplied complete with stainless steel hardware and wire covers.



Astro-Brac

pelco
PELCO PRODUCTS, INC.

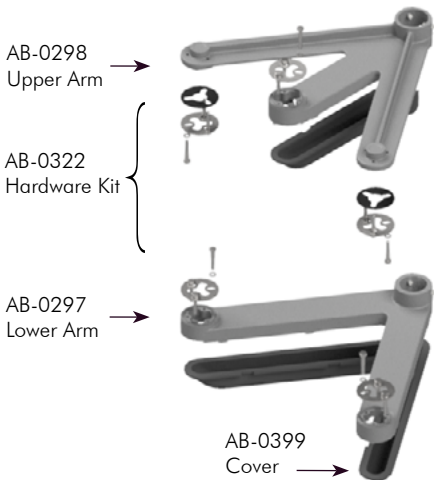
5-Section Cluster Arm Kit, 16" CTC, Alum



AB-5005 - Coating
PNC=Process No Color
P__=Paint



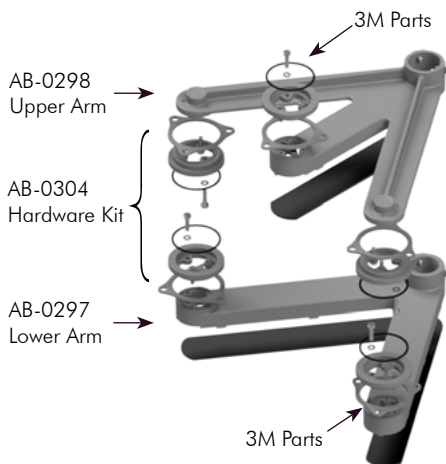
5-Section Cluster Arm Kit, 16" CTC, Alum Large Capacity



AS-5005 - Coating
PNC=Process No Color
P__=Paint



5-Section Cluster Arm Kit, 16" CTC, Alum for 3M OPS Signals



AB-5004 - Coating
PNC=Process No Color
P__=Paint



Note: 1. All assemblies are supplied standard with stainless steel slotted washers and fasteners.
2. See Reference Section for available paint colors.



Aluminum Gusseted Tubes

Supplied in lengths shown below, Pelco's vertical support tubing is made from high strength aluminum alloy. A unique shape and PVC insert insures a complete weather proof wiring installation anywhere along the entire length of the tube. The standard 46" tube will accommodate standard signal combinations up to 3-section 12", with the 58" and 74" lengths for 4 and 5-section combinations. Optional tube lengths are available for mounting OPS signals.



AB-0306
Gusseted Tube



AB-0392
PVC Insert

Astro-Brac Gusseted Tube w/ 3/4" Opening & PVC Insert, 1-1/2" x Length, Threaded One End

AB-2003	-	Length	-	Coating
		<input type="text"/>		<input type="text"/>
		23=23"		PNC=Process No Color
		37=37"		P__=Paint
		46=46"		
		58=58"		
		74=74"		



AB-0307
Gusseted Tube



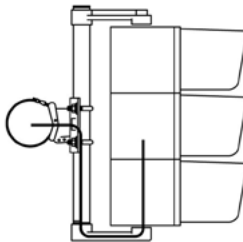
AB-0392
PVC Insert

Astro-Brac Gusseted Tube w/ 3/4" Opening & PVC Insert, 1-1/2" x Length, Threaded Both Ends

AB-2007	-	Length	-	Coating
		<input type="text"/>		<input type="text"/>
		23=23"		PNC=Process No Color
		37=37"		P__=Paint
		46=46"		
		58=58"		
		74=74"		

Concealed Wiring Installation

Pelco's aluminum gusseted tubes allow wire entry at any point. The PVC insert conceals wiring from mast arm to signal head. Simply run wire through field-drilled hole in mast arm, through Astro-Brac, and into support tube. The hollow lower arm provides a channel for wire to be fed into signal head.



- Note: 1. Standard lengths shown above. Lengths up to 120" maximum are available upon request.
 2. See Reference Section for appropriate tube length for mounting both standard and OPS signals.
 3. See Reference Section for available paint colors.



Aluminum Gusseted Tubes

Supplied in lengths shown below, Pelco's vertical support tubing is made from high strength aluminum alloy. A unique shape and PVC insert insures a complete weather proof wiring installation anywhere along the entire length of the tube. The standard 46" tube will accommodate standard signal combinations up to 3-section 12", with the 58" and 74" lengths for 4 and 5-section combinations. Optional tube lengths are available for mounting OPS signals.



Astro-Brac

pelco
PELCO PRODUCTS, INC.



Gusseted Tube w/ 3/4" Opening, 1-1/2" x Length, No Threads

AB-0390 - Length - Coating

23=23"
37=37"
46=46"
58=58"
74=74"

PNC=Process No Color
P__=Paint



Gusseted Tube w/ 3/4" Opening, 1-1/2" x Length, Threaded One End

AB-0306 - Length - Coating

23=23"
37=37"
46=46"
58=58"
74=74"

PNC=Process No Color
P__=Paint



Gusseted Tube w/ 3/4" Opening, 1-1/2" x Length, Threaded Both Ends

AB-0307 - Length - Coating

23=23"
37=37"
46=46"
58=58"
74=74"

PNC=Process No Color
P__=Paint

- Note: 1. Standard lengths shown above. Lengths up to 120" maximum are available upon request.
2. See Reference Section for appropriate tube length for routing both standard and OPS signals.
3. See Reference Section for available paint colors.



Aluminum Tubes

Supplied in lengths shown below, Pelco's vertical support tubing is made from high strength aluminum alloy. The standard 46" tube will accommodate standard signal combinations up to 3-section 12", with the 58" and 74" lengths for 4 and 5-section combinations. Optional tube lengths are available for mounting OPS signals.



Tube, 1-1/2" SCH 40 Aluminum, 1-7/8" OD x Length, No Threads

SE-0484 - Length - Coating
23=23"
37=37"
46=46"
58=58"
74=74"
PNC=Process No Color
P__=Paint



Tube, 2" SCH 40 Aluminum, 2-3/8" OD x Length, No Threads

SE-0494 - Length - Coating
23=23"
37=37"
46=46"
58=58"
74=74"
PNC=Process No Color
P__=Paint

- Note: 1. Standard lengths shown above. Lengths up to 120" maximum are available upon request.
2. See Reference Section for appropriate tube length for mounting both standard and OPS signals.
3. See Reference Section for available paint colors.



Astro-Brac Hardware Kits



AB-0321-SS **Hardware Kit, 1-Way Arm, 1/4"-20NC**



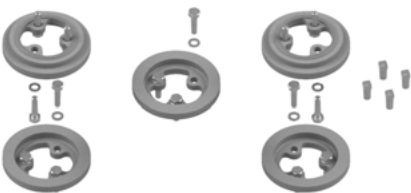
AB-0383-SS **Hardware Kit, CGB Arm, 1/4"-20NC**



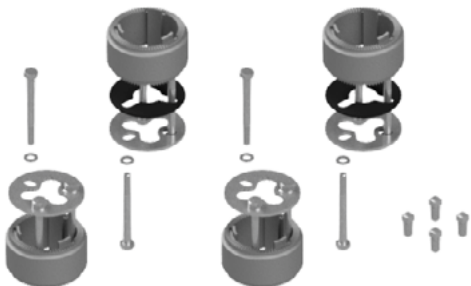
AB-0261-SS **Hardware Kit, OPS 1-Way, 1/4"-20NC, 3M Adapter Ring**



AB-0322-SS **Hardware Kit, 5-Section Cluster, 1/4"-20NC**



AB-0304-SS **Hardware Kit, OPS 5-Section Cluster, 1/4"-20NC, 3M Adapter Ring**

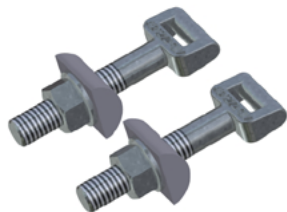


AB-0299-SS **Hardware Kit, 2-Way ICC Ped Signal, 1/4"-20NC, Ped Head Adapter**

Note: 1. All hardware kits are supplied standard with stainless slotted washers and fasteners.



Astro-Brac Hardware Kits



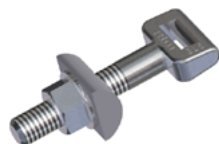
AB-0204-GLV **Clamp Screw Kit, 7/16"-14,
Galvanized**



AB-0204-SS **Clamp Screw Kit, 7/16"-14,
Stainless**



AB-0303-GLV **Clamp Screw Kit, 7/16"-14,
Galvanized**



AB-0303-SS **Clamp Screw Kit, 7/16"-14,
Stainless**



AB-0256-SS **V-Bolt Kit, 5/16"-18,
Stainless**

Astro-Brac

pelco
PELCO PRODUCTS, INC.



Astro-Brac Hardware Kits

Astro-Brac

pelco
PELCO PRODUCTS, INC.

Cable Assy, Stainless Hardware



AB-0512 - -
See Note GLV=Galvanized
SS=Stainless Steel

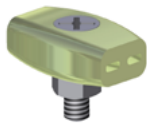
Note:
Cable Length: 62", 84", 96", 110", 120", 132", 144", 220", or 280".

Band Assy, Set of 2, Stainless w/ Clamps, Set Screws, & Groove Pins



AB-0509 - - SS
See Note

Note:
Band Length: 29", 36", 42", 48", 56", 72", 84", 96", or 114".



AB-0506-ZN2 **Ty-Back Restraining Clamp**
For use with Cable
Stellar & Atlas Clamp Kits



AB-1000-PNC **Helping Hand Assembly**
For use with
Galaxy & Stellar Clamp Kits

