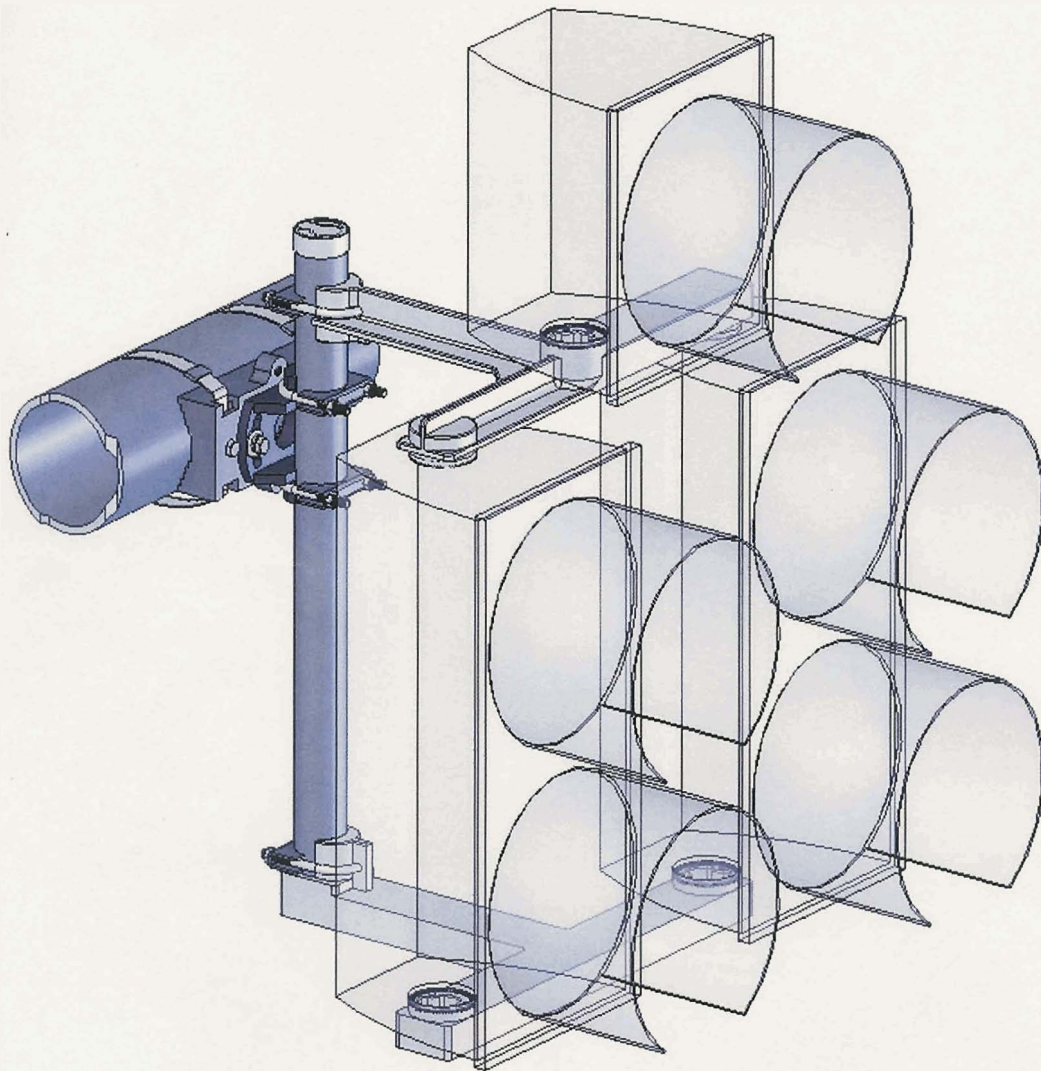


SKY BRACKET®

*Covered by one or
more U.S Patents
Patent 4,860,985*

SIGNAL MAST ARM MOUNTING KITS



**STD CLUSTER ASSY
SB29-SCB-37**