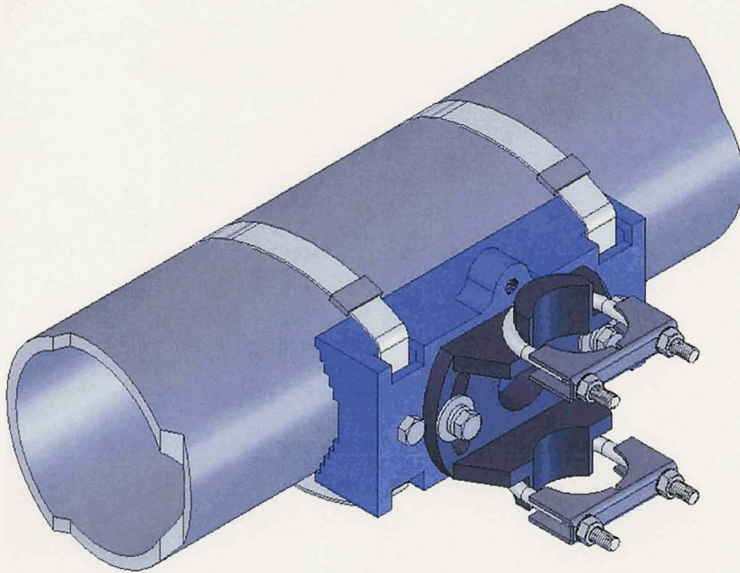


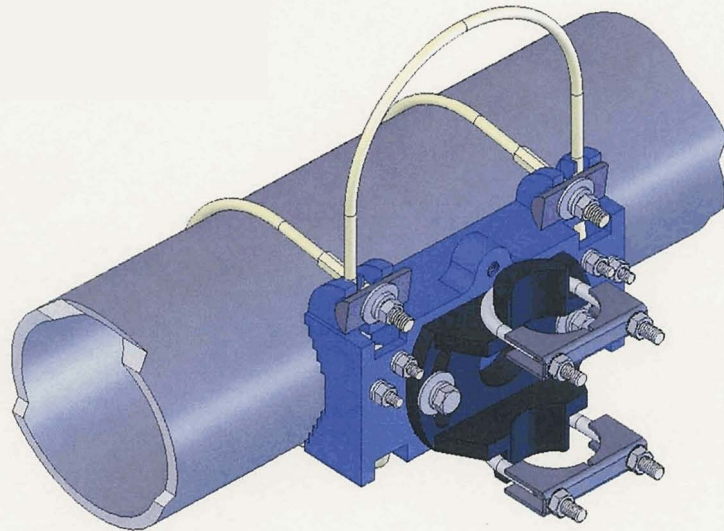
SKY BRACKET®

Covered by one or
more U.S. Patents
Patent 4,860,985

CLAMP KITS



**STANDARD CLAMP KIT
SB29-SCK**



**CABLE CLAMP KIT
SBC64-CCK**