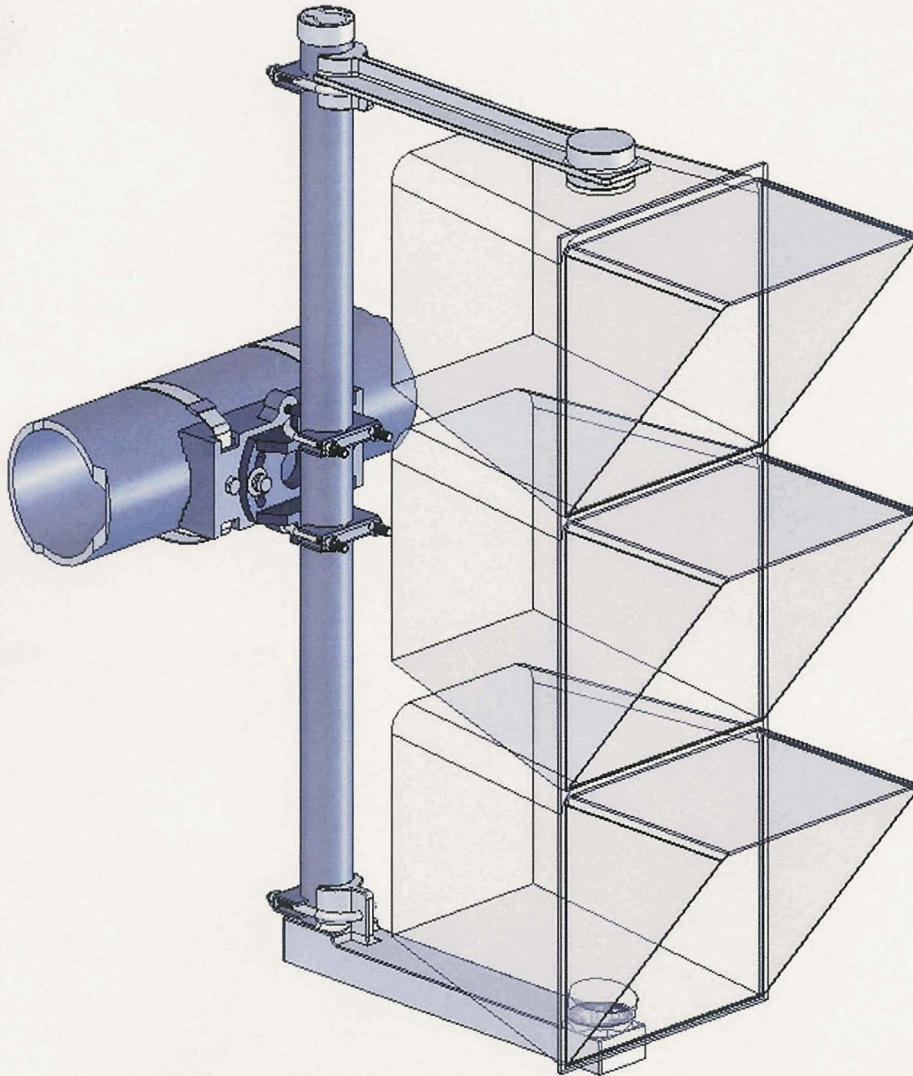


SKY BRACKET®

Covered by one or
more U.S Patents
Patent 4,860,985

SIGNAL MAST ARM MOUNTING KITS



3 SECTION 3M ASSY SB29-3M-46

(Deep arms for optically programmable signals.
Also available in 4 and 5 section)