

RSL-200[®] SERIES



The RSL-200 Luminaire Series offers energy-saving and cost effective solutions for new street lighting as well as for retrofitting existing installations. Available with pole spacings of up to 11 times the mounting height, the RSL-200 luminaire is designed for use on residential and local roadways as well as pedestrian and bike paths.

Efficient light distribution is achieved because of a vertical burning lamp, which distributes over 90% of its lumens to the sides. The precisely

engineered RSL-200 refractors can efficiently control this light without the use of a reflector. Furthermore, the refractors improve driver and pedestrian visibility by providing sufficient high-angle candlepower for required surface and pavement brightness, with minimized glare.

RSL-200[®] SERIES

- Superior performance
- Ease of maintenance
- Cost effective
- Reliability



- CITY STREETS
- ROADWAYS
- RESIDENTIAL AREAS
- BOULEVARDS
- WALKWAYS
- PARKING LOTS



ANSI/IES street lighting types II, III, IV and II 4-way with short, medium, and long non-cutoff distributions permit optimum lamp and energy utilization. The RSL-200 Series is ideal for roadways, parking lots, parks, and campus areas. Four uniquely performing refractors and a wide choice of lamps mean even the hard to light areas can be illuminated with efficient HID sources. The high vertical distribution puts light deep in between parked cars, foliage, and alley ways for increased security.

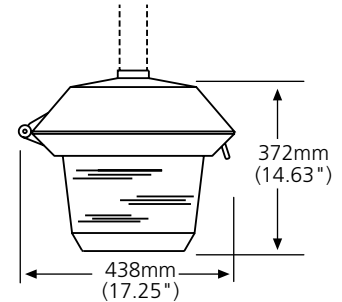
The RSL-200 Series is available on steel and aluminum poles suitable for a variety of applications. Attractive aluminum decorative hoods are available, as well as NEMA photocontrol receptacles, lightning arrestors, 90° shields, and wall and post top mounting brackets.

Ordering Data

How to construct a catalog number for RSL-200:

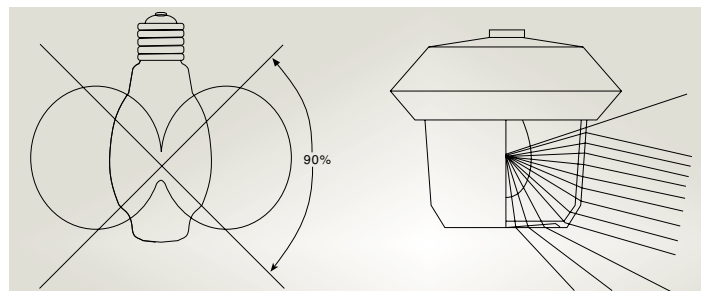
Example: RSL2 — 100HP — 12 — S — A21 — PS
 1 2 3 4 5 6

Cat. no.	Description
1 Luminaire	
__ RSL2	Residential Street Lighting Luminaire
2 Source and wattage	
__ 070HP	70W HPS
__ 100HP	100W HPS
__ 15AHP	150W HPS, 55V HPS
__ 175MH	175W MH
__ 250MH	250W MH
__ 175MV	175W MV
__ 250MV	250W MV
3 Voltage	
__ 12	120V
__ 20	208V
__ 24	240V
__ 27	277V
__ 48	480V
__ MT	Multi-voltage 120/208/240/277V
4 Mounting	
__ S	Side entry for 1-1/4" or 2" pipe
__ T	Top entry threaded for 1-1/4" pipe
5 Optics	
__ A21	Type III glass refractor
__ C24	Type II-4 way glass refractor
__ D26	Type IV glass refractor
6 Options	
__ PC	Polycarbonate closed bottom Type III refractor (replace "A21" catalog number with "APC")
Accessories (order separately)	
__ F1	Single fusing (for 120, 240 and 277V units)
__ F2	Double fusing (for 208, 240 and 480V units)
__ RS2LSD	90° shield
__ 08987	Photocontrol receptacle (side entry only)
__ 0877	Wall bracket (side entry only)
__ 0871-CA	Outside corner adapter for 0877
__ BR-150	Bracket for 3" O.D. pole top tenon mount (side entry only)
__ RS2LDCSZ	Decorative cover for side entry, bronze finish (n/a with photocontrol)
__ RS2LDCTZ	Decorative cover for top entry, bronze finish (n/a with photocontrol)



Notes: 1 Decorative cover available with other finishes. Substitute "B" for black, "N" for dark green for "Z" in catalog number.

Order number _____ Job name _____

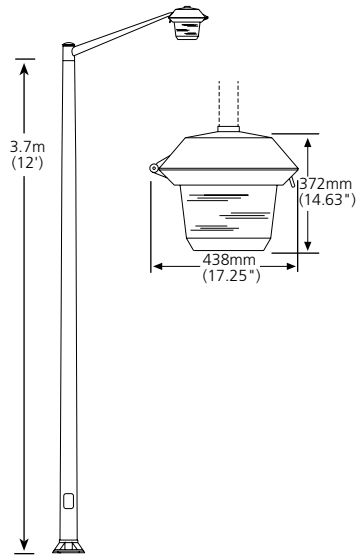


The natural light flux distribution of HID lamps greatly favors their use in the vertical position. 90% of all output is emitted to the sides.

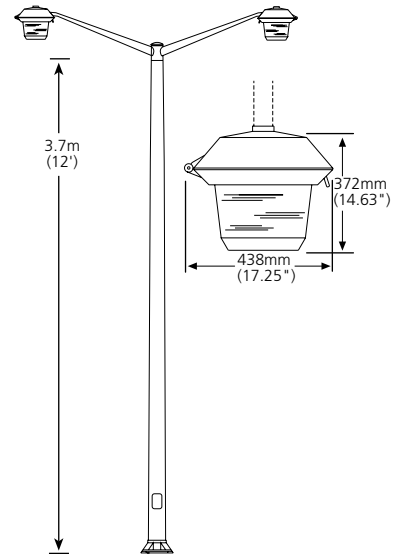
RSL-200® distributes the sideward lamp lumens to horizontal and vertical surfaces away from the base of the pole. No concentrated, wasteful "puddle of light" under the luminaire.

RSL-200® SERIES

Typical Configurations



RSL-200 luminaire on a single arm roadway pole



Twin RSL-200 luminaires on a double arm roadway pole

Photometrics

Typical photometric data (Isofootcandle charts and coefficient of utilization curves)

Isofootcandle data is based on a 10 foot mounting height. To determine values for mounting heights other than 15 feet, multiply the value shown by the following factors:

10' - 2.25 12' - 1.56 14' - 1.15 16' - 0.88 18' - 0.69 20' - 0.56 22' - 0.46 24' - 0.39



An **AcuityBrands** Company

Acuity Lighting Group, Inc.

214 Oakwood Ave., Newark, OH 43055 / Holophane Canada, Inc. 9040 Leslie Street, Suite 208, Richmond Hill, ON L4B 3M4 / Holophane Europe Limited, Bond Ave., Milton Keynes MK1 1JG, England / Holophane, S.A. de C.V., Apartado Postal No. 986, Naucalpan de Juarez, 53000 Edo. de Mexico

Contact your local Holophane factory sales representative for application assistance, and computer-aided design and cost studies. For information on other Holophane products and systems, call the Inside Sales Service Department at 740-345-9631. In Canada call 905-707-5830 or fax 905-707-5695.

Limited Warranty and Limitation of Liability

Refer to the Holophane limited material warranty and limitation of liability on this product, which are published in the "Terms and Conditions" section of the current product digest, and is available from our local Holophane sales representative.

Visit our web site at www.holophane.com