



## StreetSense™ Series LED Street Light



### Certifications and Ratings:

- UL1598
- CSA C22.2 #250
- IP 66

### Compliances:

- RP-8-00

### Test Reports:

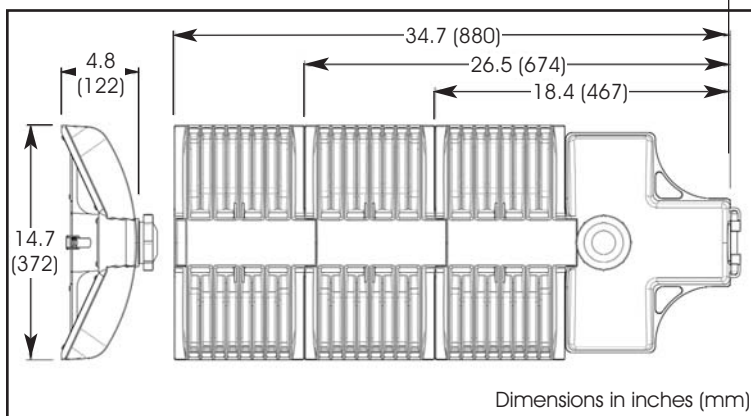
- LM-79
- LM-80

### Features & Benefits:

- Instant on/off response
- Environment friendly
- Resistant to shock and vibration
- 70% lumen maintenance over 60,000 operating hours
- Built-in thermal overload protection circuitry
- Built-in surge protection circuitry

### Accessories (ordered separately):

- Photo Controller - part number - SLPC01R



### A new direction in roadway lighting

Representing the latest innovation in LED roadway and area lighting, the new Dialight StreetSense™ Series LED Street Light features Dialight's exclusive optics technology for precision light placement along with maximum energy efficiency and reliability for ultra-low total cost of ownership over the lifetime of the fixture.

### Mechanical Information:

**Fixture Weight:** See ordering info below

**Mounting:** Accommodates a 2" IP (2.375" OD) pipe. Provision for adjustment of +/- 5° in 2.5° increments

### Electrical specifications:

**Operating Voltage:** Standard: 100-277V (+/- 10%)

**Total System Power Consumption:** See ordering info below

**Operating Temp:** -40°F to 165°F (-40°C to 74°C)

**Noise Requirements / EMC:** FCC Title 47, Subpart B, Section 15, class A device. RF Immunity; 10V/m, 80MHz-1GHz

**Transient Protection:** ANSI C136.2 (600V classification) Dielectric and Transient voltage withstand tests

**THD:** <15% (100 - 240VAC)  
<20% (277VAC)

**Power Factor:** >0.95

### Material:

**Housing:** Cast aluminum housing with terminal block for up to 6AWG wire. Unique hinged grey polycarbonate bottom cover provides tool less access to terminal blocks and pole fittings for quick and easy luminaire mounting.

**Finish:** Polyester / epoxy powder coat grey. Standard RAL 7040. (Other finish options available on request.)

**Lens:** UV and abrasion resistant polycarbonate cover lens (Glass lens options available on request.)

**Photocontroller Socket:** Standard NEMA three prong twist lock, socket with shorting cap, as per ANSI C136.10

### Photometric Information:

**CRI (typ):** 72

**CCT (typ):** 6000K (cool white)  
(Other color options available on request)

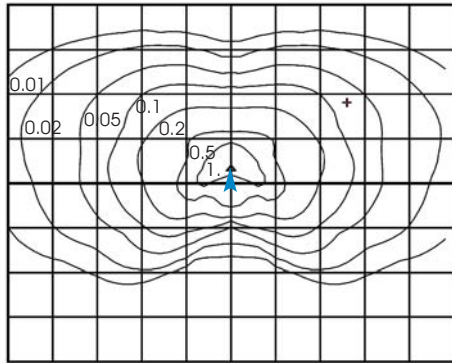
**Optics:** IES Type III  
(Types II, IV, V available on request)

Part Number	LED Drive Current (mA)	Total System Power Consumption (W)	Initial Fixture Lumens	Lumen Per Watt	BUG Rating	Fixture Weight (lbs)	Dimensions (inches)
SL3C4CLGH	348	61	4466	73	B1U2G1	16	18.4 x 14.7 x 4.8
SL3C4HLGH	348	121	8985	74	B2U3G2	25	26.5 x 14.7 x 4.8
SL3C4RLGH	348	182	13,471	74	B3U3G3	34	34.7 x 14.7 x 4.8

## Type III (61 Watt) - Light Measurement Data

### Iso-Illuminance Chart (fc)

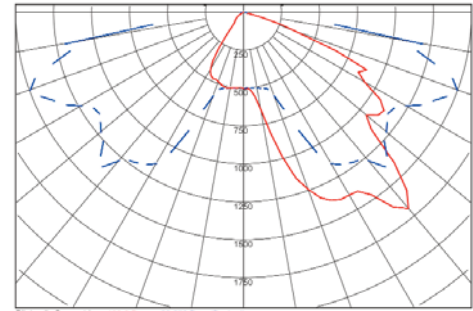
Example shown: 25 ft Mounting Height



Spacing of each box is equal to mounting height in feet.  
 Ex: 40ft mounting height = each box is 40ft, 30ft mounting height = each box is 30ft  
 ▲ - Location of streetlight

Mounting Height	Multiplier
10	6.250
15	2.778
20	1.563
25	1.000
30	0.004
35	0.510
40	0.319
45	0.309
50	0.250

### Intensity Distribution Curve (cd)

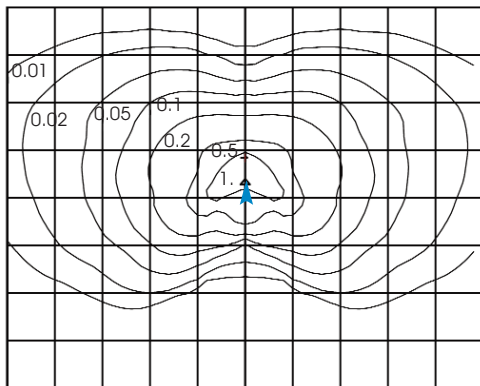


Bilaterally Symmetric 180-0 Deg 90-270 Deg (Dashed)  
 ETL Intertek certified test performed to IES LM-79-08 standards

## Type III (121 Watt) - Light Measurement Data

### Iso-Illuminance Chart (fc)

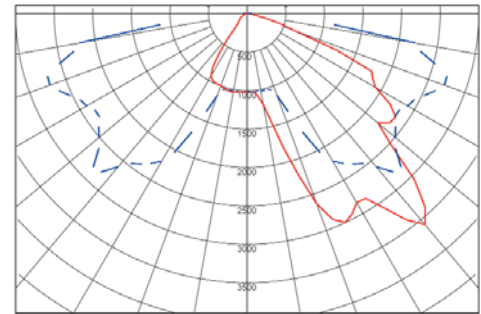
Example shown: 35 ft Mounting Height



Spacing of each box is equal to mounting height in feet.  
 Ex: 40ft mounting height = each box is 40ft, 30ft mounting height = each box is 30ft  
 ▲ - Location of streetlight

Mounting Height	Multiplier
10	12.250
15	5.444
20	3.063
25	1.960
30	1.361
35	1.000
40	0.766
45	0.605
50	0.490

### Intensity Distribution Curve (cd)

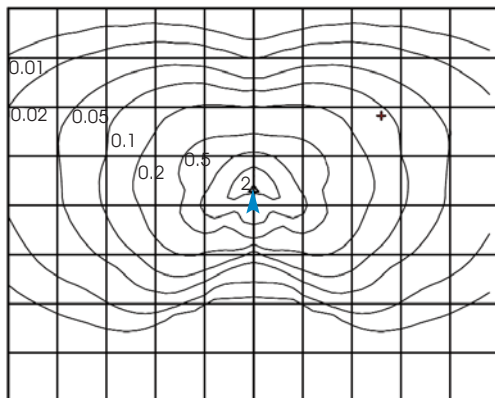


Bilaterally Symmetric 180-0 Deg 90-270 Deg (Dashed)  
 ETL Intertek certified test performed to IES LM-79-08 standards

## Type III (182 Watt) - Light Measurement Data

### Iso-Illuminance Chart (fc)

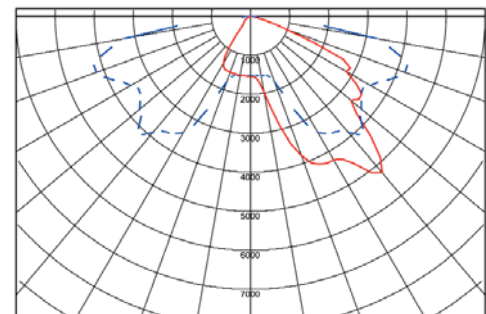
Example shown: 35 ft Mounting Height



Spacing of each box is equal to mounting height in feet.  
 Ex: 40ft mounting height = each box is 40ft, 30ft mounting height = each box is 30ft  
 ▲ - Location of streetlight

Mounting Height	Multiplier
10	12.250
15	5.444
20	3.063
25	1.960
30	1.361
35	1.000
40	0.766
45	0.605
50	0.490

### Intensity Distribution Curve (cd)



Bilaterally Symmetric 180-0 Deg 90-270 Deg (Dashed)  
 ETL Intertek certified test performed to IES LM-79-08 standards

Dialight reserves the right to make changes at any time in order to supply the best product possible.

The most current version of this document will always be available at:  
[www.dialight.com/Assets/Brochures\\_And\\_Catalogs/Illumination/MDTFSL3X001.pdf](http://www.dialight.com/Assets/Brochures_And_Catalogs/Illumination/MDTFSL3X001.pdf)