



DuroSite™ LED High Bay
for Industrial & Commercial Applications

DuroSite™ LED High Bay



Features & Benefits

- ▷ 80% lumen maintenance after 60,000 hours
- ▷ Up to 79 lm/w
- ▷ Significant energy savings
- ▷ Instant on/off
- ▷ Maintenance free
- ▷ Mercury free
- ▷ Superior light quality
- ▷ Dark Sky Compliant
- ▷ No heat or UV
- ▷ Simple installation
- ▷ Universal input: (100 - 277VAC), 50/60Hz or (347- 480VAC), 50/60Hz
- ▷ Resistant to shock and vibration
- ▷ Temperature compensation technology for long life
- ▷ Copper free aluminum



G.S. Dunn Limited
Dry Mustard Millers



Rockline Industries
Supplier of Private Label Wet Wipes



Frontline International
Cooking Oil Management Solution

Typical Applications

- ▷ Warehouse
- ▷ Manufacturing
- ▷ Cold Storage
- ▷ Canopy
- ▷ Gymnasium
- ▷ Tunnels

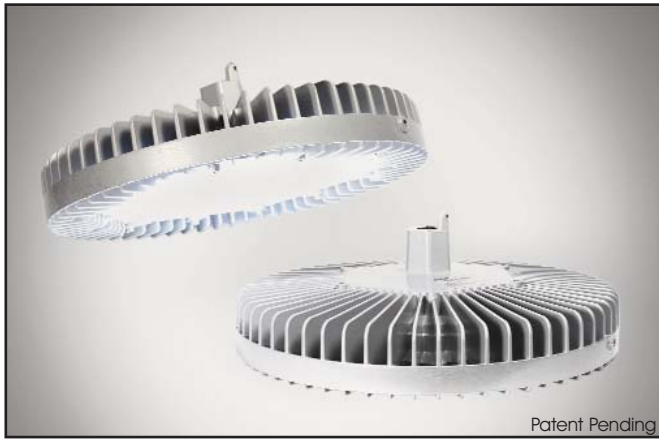
View the full case studies at:

G.S. Dunn Limited - www.dialight.com/news/details/GSDunn_case_study

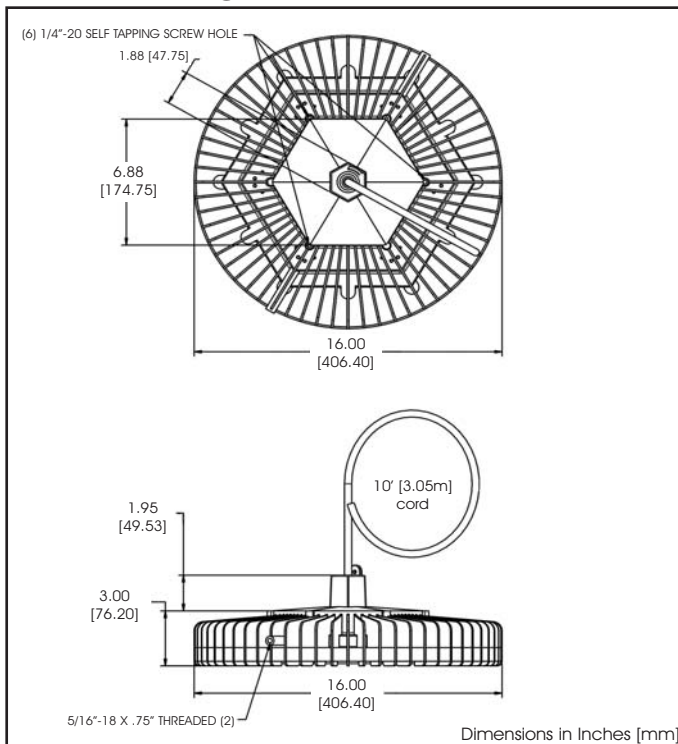
Rockline Industries - www.dialight.com/news/details/Rockline_case_study

Frontline International - www.dialight.com/news/details/Frontline_case_study





DuroSite™ LED High Bay Fixture



Ordering Info:

Part Number	Certifications		Lens		Optical Pattern		Initial Fixture Lumens Typical ($\pm 10\%$) ³	Lumens Per Watt
	UL-1598 CSA 22.2 #250 Dry Locations (Acrylic Lens)	UL-1598A IP-66, NEMA - 4X CSA 22.2 #250 Marine Wet Locations (Polycarbonate Lens) ²	Clear	Diffused	Circular	Oval		
HB1C4N	X		X		X		11,672	78
HB6C4M	X		X			X	11,548	77
HB5C4M	X			X	X		10,862	72
HB1C4J	X		X		X		10,818	72
HB5C4J	X			X	X		10,541	70
HB3C4G	X			X	X		7,887	53
HB2C4M		X	X		X		10,904	73
HB7C4M		X	X			X	10,857	72
HB2C4K		X	X		X		10,175	68
HB4C4F		X		X	X		7,614	51

¹Part numbers listed in the table above are 100-277VAC. For 347-480VAC version replace the 5th character with a **5**.

EX: HB1C**4**N (100-277VAC) becomes HB1C**5**N (347-480VAC).

²Units meet IP-66 when installed using conduit or an IP66 approved cable gland at the 3/4 NPT. Dialight offers IP-66 approved cable glands as part of accessories HBXW2 and HBXCG.

³Initial fixture lumens based on temperatures up to 113°F (45°C)

Application:

Dialight's DuroSite™ LED High Bay fixture was designed specifically to replace conventional lighting in a wide variety of industrial applications; both indoor and outdoor. Its low profile light weight design and versatile mounting options make it ideal for many applications such as warehouse, garage, aisle, cold storage, bridge, tunnel and general area lighting.

All of Dialight's long life LED luminaires are designed to meet the most demanding specification criteria while offering maximum energy savings, reduced maintenance costs, and a superior quality of light.

Mechanical Information:

Fixture Weight: 17 lbs (7.7 kg)
Mounting: (1) 3/4" NPT
 or
 (2) 5/16"-18 x .75" UNC

Electrical specifications:

Operating Voltage ¹: 100-277VAC, 50/60 Hz
 or
 347-480VAC, 50/60 Hz
Total System Power Consumption: 150W
Operating Temp: -40°F to +149°F (-40°C to +65°C)
Harmonics: IEC 6100-3-2
Surge / Lightning Protection: 1 kV line to line
 2 kV line to ground
THD: <5% (120VAC)
 <10% (230/240VAC)
 <12% (277VAC)
 <15% (347-480VAC)
Power Factor: > 0.9 (100-277VAC)
 > 0.95 (347-480VAC)

Construction:

Body: Powder Coated Aluminum
Lens: Acrylic (UL1598 Dry Location versions)
 Polycarbonate (UL1598A versions)

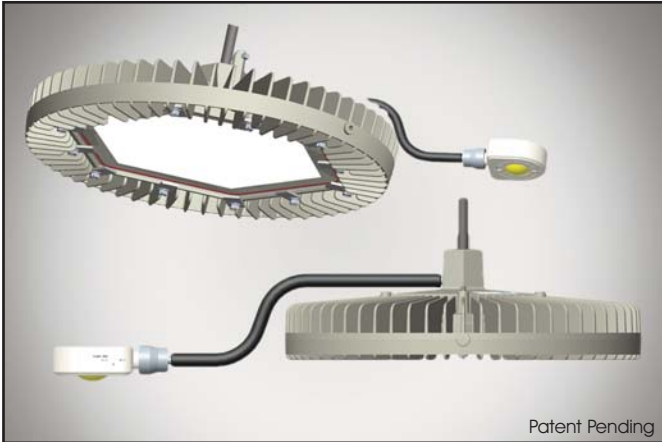
Photometric Information:

CRI (typ): 70
CCT (typ): 6000K (cool white)

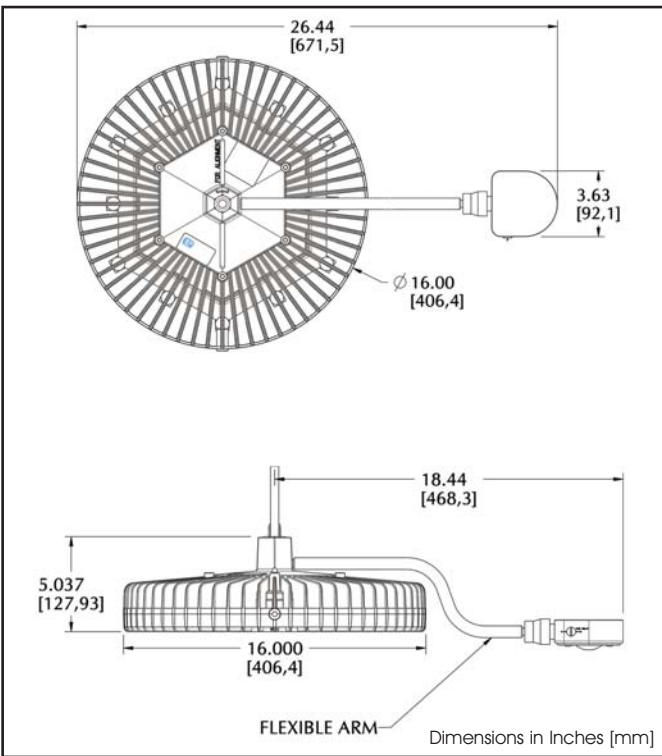
DuroSite™ LED High Bay Fixture

Options and Accessories

Occupancy Sensor Version



Patent Pending



Application:

Dialight offers a series of High Bay products with an attached occupancy sensor. The occupancy sensor leverages the High Bay's instant-on and instant-off capability to increase energy savings and enhance ROI. Other industrial lighting sources such as HID fixtures do not offer instant-on capability.

Information¹:

Weight:	19lbs (8.6kg)
Sensor Mounting:	Attached to the base of the neck using a semi-rigid flexible conduit
Occupancy Sensor:	Leviton OSFHU - CTW (120-347VAC) or C4W (480VAC)
Sensor Timing:	30 seconds to 20 minutes
Sensor Lens Options:	Narrow lens with a white trim ring Wide lens with a blue trim ring Oval lens with a black trim ring

Operating Temperature²: -14°F + 149°F (-10°C + 65°C)

Features and Benefits

- ▷ No additional electrical connections required for installation
- ▷ Flexible conduit permitting the positioning of the occupancy sensor for optimal coverage
- ▷ Interchangeable sensor lens for high bay, low bay, or aisle applications

Ordering Info:

Part Number	Certifications UL-1598 CSA 22.2 #250 Dry Location (Acrylic Lens) ³	Lens		Optical Pattern		Initial Fixture Lumens Typical (±10%) ⁴	Lumens Per Watt
		Clear	Diffused	Circular	Oval		
HB1C4T	X	X		X		11,672	78
HB6C4T	X	X			X	11,548	77
HB5C4T	X		X	X		10,862	72
HB1C4S	X	X		X		10,818	72
HB5C4S	X		X	X		10,541	70
HB3C4R	X		X	X		7,887	53

¹ Mechanical, Electrical and Photometric specifications are the same as page 3 except as noted.

² -40°F + 149°F (-40°C + 65°C) polycarbonate lens units (consult factory)

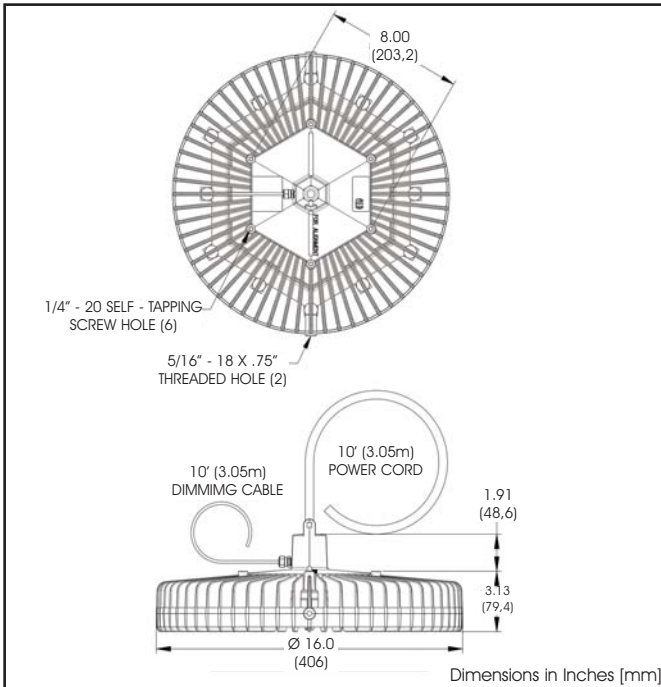
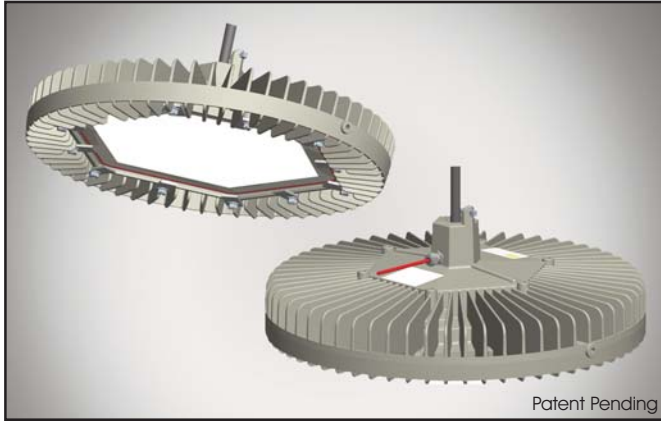
³ Units meet IP-66 when installed using conduit or an IP66 approved cable gland at the 3/4 NPT. Dialight offers IP-66 approved cable glands as part of accessories HBXW2 and HBXCG.

⁴ Initial fixture lumens based on temperatures up to 113°F (45°C)

DuroSite™ LED High Bay Fixture

Options and Accessories

Variable Dimming Version: 0-10 VDC



Application:

Dialight offers a series of High Bay products with ACTIVE Dimming. Dimming permits the user to select a specific light output and power consumption to meet their requirements. The reduction in light output and power consumption are approximately proportional. Reducing the light output by 50% will reduce the power consumption by 50%. LEDs are particularly well suited for dimming as compared to other industrial light sources.

Electrical Interfaces¹:

Variable Dimming Cable	Two conductor cable
Power Cable	Three conductor cable
Dimming Cable Position	Side of the neck through a cable gland
Variable Dimming Control:	0-10 VDC active
Dimming Range:	10 VDC = 100% light output 0 VDC = 15% light output

Features and Benefits

- ▷ 10' plenum rated dimming control cable pre-installed
- ▷ Dimming cabling independent of fixture wiring
- ▷ Multiple High Bays can be connected to the same dimmer
- ▷ May also be configured to operate in a single STEP Dimming configuration

STEP Dimming Mode

The variable dimming High Bays may also be configured to operate in a single STEP Dimming configuration. When the dimming control conductors are connected together, the light output will be reduced to approximately 15% of the maximum light output. The total fixture power consumption will also be reduced to approximately 20% (30 W). Connecting the leads together can be accomplished with a common wall switch.

Ordering Info:

Part Number	Certifications		Lens		Optical Pattern		Initial Fixture Lumens Typical ($\pm 10\%$) ³		Total Fixture Power Consumption		Lumens per Watt
	UL-1598 CSA 22.2 #250 Dry Locations (Acrylic Lens)	UL-1598A IP-66, NEMA - 4X CSA 22.2 #250 Marine Wet Locations (Polycarbonate Lens) ²	Clear	Diffused	Circular	Oval	Min	Max	Min	Max	
HB1C4Y	X		X		X		2,334	11,672	30 W	150 W	78
HB6C4Y	X		X			X	2,310	11,548			77
HB5C4Y	X			X	X		2,172	10,862			72
HB1C4X	X		X		X		2,164	10,818			72
HB5C4X	X			X	X		2,108	10,541			70
HB3C4W	X			X	X		1,577	7,887			53
HB2C4Y		X	X		X		2,181	10,904			73
HB7C4Y		X	X			X	2,171	10,857			72
HB2C4X		X	X		X		2,035	10,175			68
HB4C4W		X		X	X		1,523	7,614			51

¹ Mechanical, Electrical and Photometric specifications are the same as page 3 except as noted.

² Units meet IP-66 when installed using conduit or an IP66 approved cable gland at the 3/4 NPT. Dialight offers IP-66 approved cable glands as part of accessories HBXW2 and HBXCG.

³ Initial fixture lumens based on temperatures up to 113°F (45°C)

DuroSite™ LED High Bay Fixture

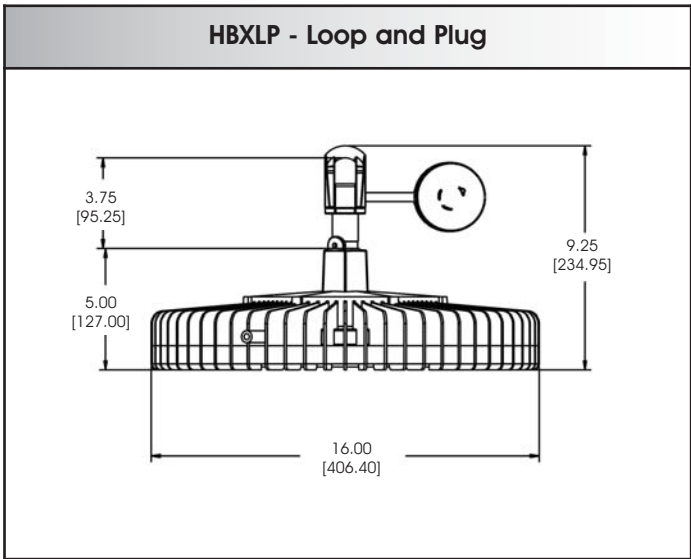
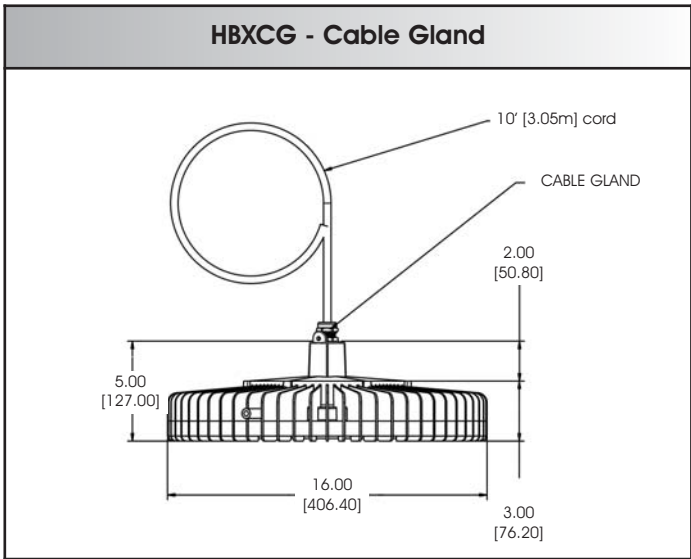
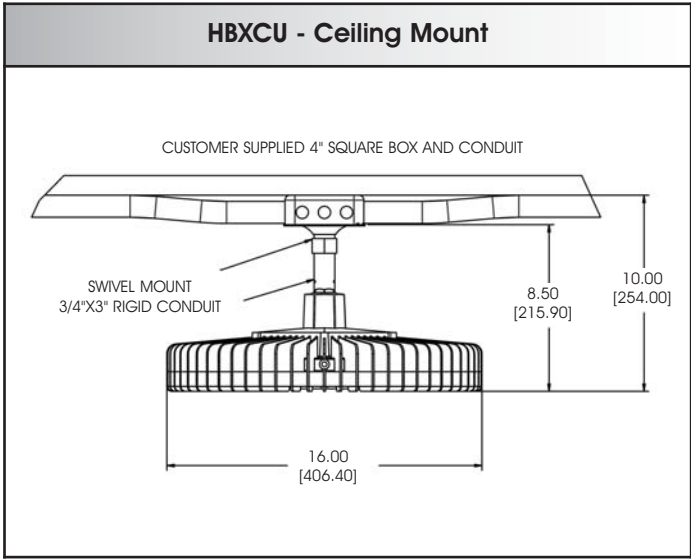
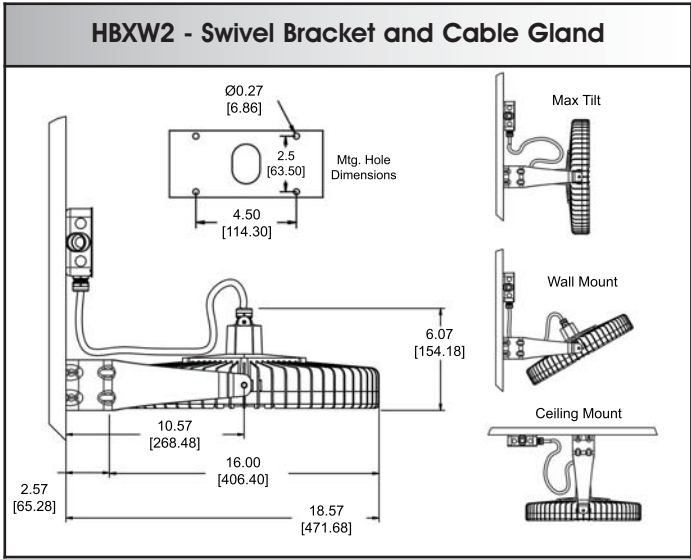
Options and Accessories

	Part Number	Description	Kit Includes	UL-1598	UL-1598A
	No Part Number	Pendant Mount (Conduit supplied by installer)	Conduit supplied by installer	X	X
	HBXW2	Swivel Bracket and Cable Gland	Swivel Bracket Bracket to fixture hardware Cable Gland (1/2") Reducer (3/4" to 1/2")	X	X
	HBXW3	Swivel Bracket	Swivel Bracket Bracket to Fixture Hardware	X	X
	HBXCU	Ceiling Mount	Swivel Hanger Cover 3" Conduit Nipple	X	
	HBXCG	Cable Gland	Cable Gland (1/2") Reducer (3/4" to 1/2")	X	X
	HBXLP	Loop and Plug	Hanger Loop (GE LOOPM353) 125/480VAC Twist Lock Plug (Pass & Seymour S2348DF)	X	
	HBXHP	Hook and Plug	Hanger Hook (GE HOOKM353) 125/480VAC Twist Lock Plug (Pass & Seymour S2348DF)	X	
	HBXB1	Power Box Pendant Mount 277VAC	Pendant mount 277VAC (Lithonia PPH277U)	X	
	HBXB3	Power Box Pendant Mount 480VAC	Pendant mount 480VAC (Lithonia PPH480U)	X	
	HBXB2	Power Box Ceiling Mount 277VAC	Ceiling mount 277VAC (Lithonia TPH227U)	X	
	HBXB4	Power Box Ceiling Mount 480VAC	Ceiling mount 480VAC (Lithonia TPH480U)	X	
	HBXT2	Junction Box with Transformer 347-480VAC to 240VAC	NEMA Box with Integrated Transformer	X	X
	HBXLAC1	Acrylic Lens, Clear (Cut)	Cut Clear Lens Lens Gasket	X	
	HBXLAD1	Acrylic Lens, Diffused (Cut)	Cut Diffused Acrylic Lens Lens Gasket	X	
	HBXLPD1	Polycarbonate Lens, Diffused (Molded)	Molded Diffused Acrylic Polycarbonate Lens Lens Gasket	X	X

DuroSite™ LED High Bay Fixture

Options and Accessories

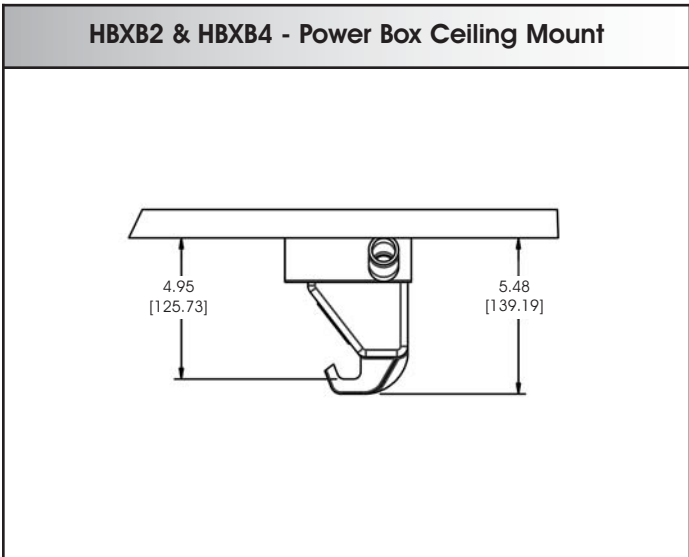
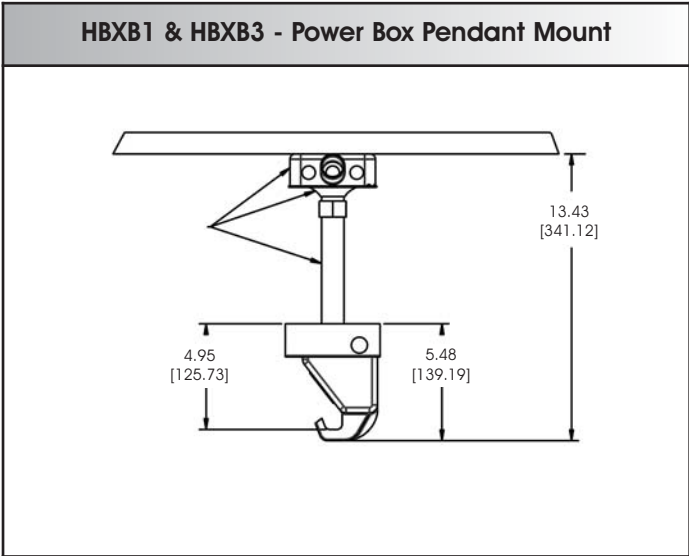
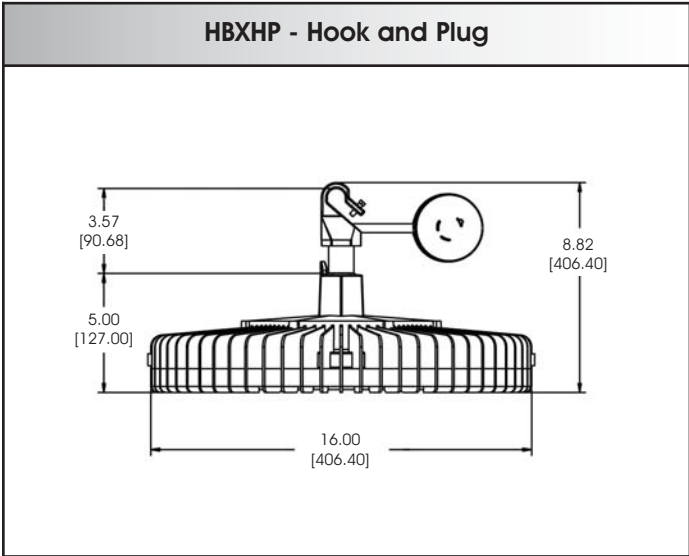
Mounting Options



DuroSite™ LED High Bay Fixture

Options and Accessories

Mounting Options



Dialight reserves the right to make changes at any time in order to supply the best product possible.
 The most current version of this document will always be available at:
www.dialight.com/Assets/Brochures_And_Catalogs/Illumination/MDEXHBX001.pdf

MDEXHBX001_D