

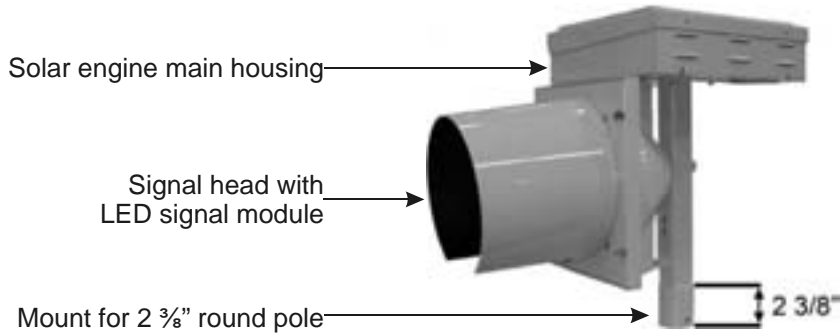


OWNER'S MANUAL SUPPLEMENT

Roadway Beacons Component Identification and Mounting Options

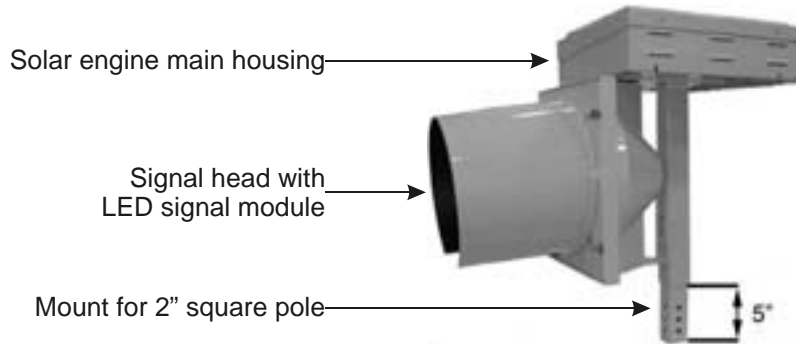
Component Identification and Mounting Options

Single Beacon Sign Post Round



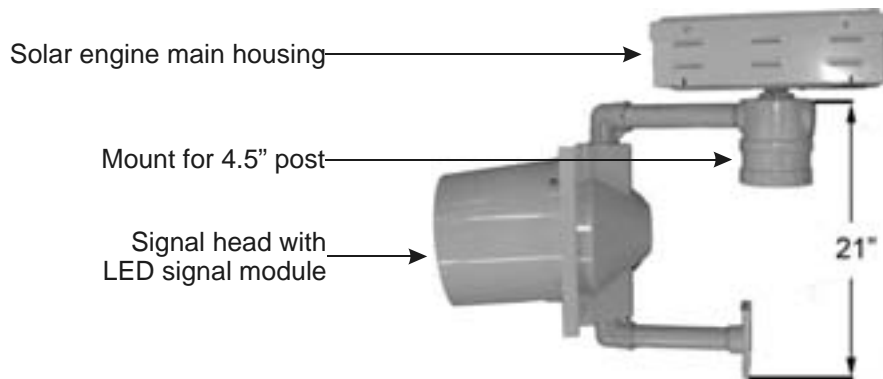
Tilt option available

Single Beacon Sign Post Square



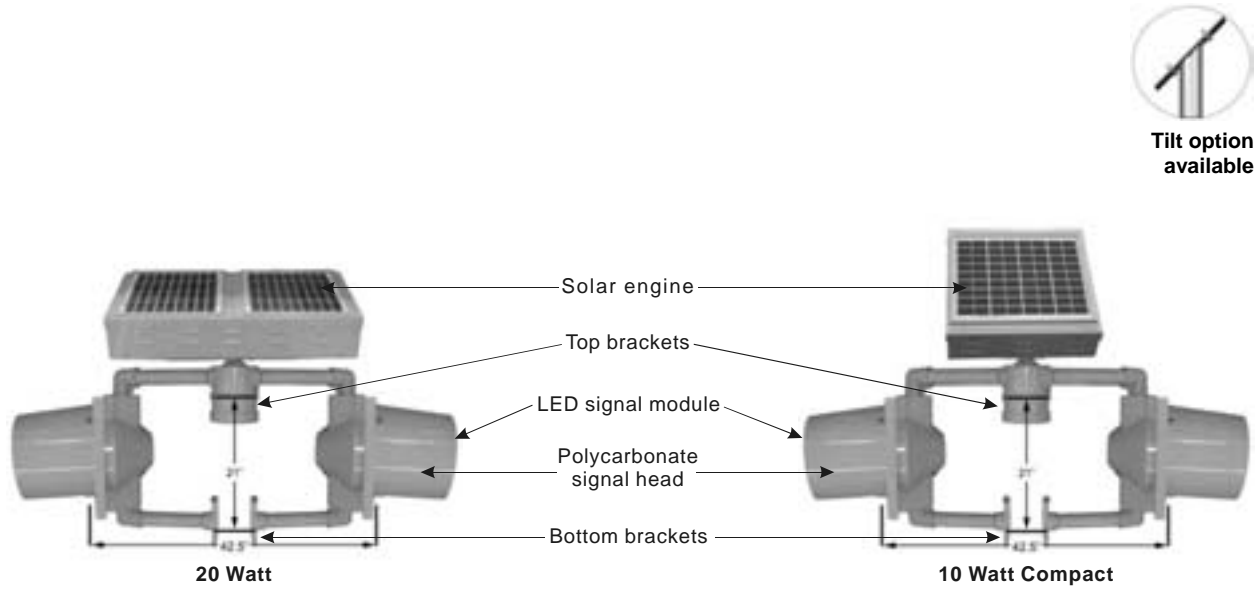
Tilt option available

Single Beacon 4.5" Post

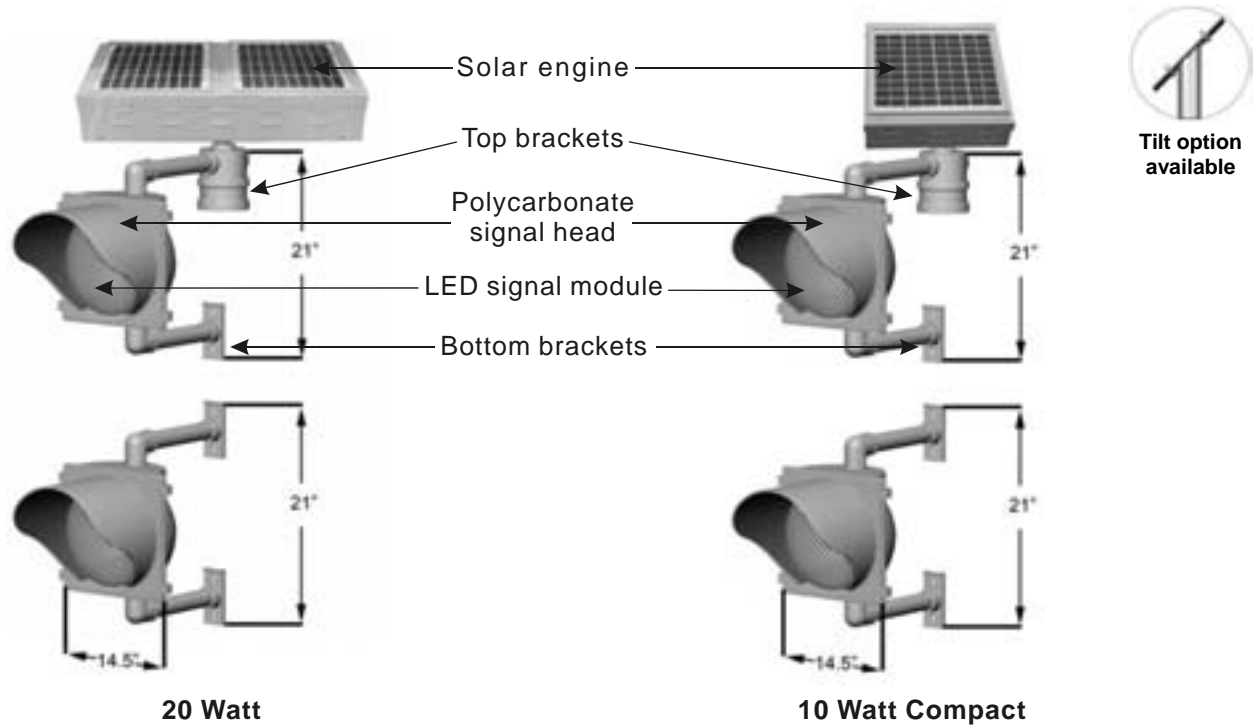


Tilt option available

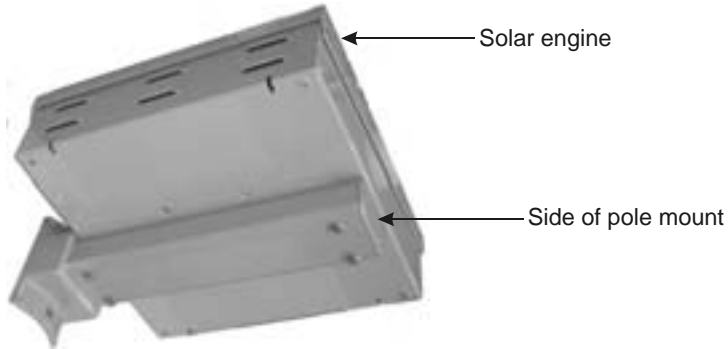
Dual Beacon Horizontal



Dual Beacon Vertical




Side of Pole Mount





Tilt option available





Components


	<ul style="list-style-type: none"> 53162 – Black 53163 – Green 53164 – Yellow 53159 – Black, with Radio 53160 – Green, with Radio 53161 – Yellow, with Radio
<p>20 Watt Solar Engine A</p>	


	<ul style="list-style-type: none"> 47357 – Black 48814 – Green 48812 – Yellow 50227 – Black, with Radio 50226 – Green, with Radio 50228 – Yellow, with Radio
<p>Compact 10 Watt Solar Engine B</p>	

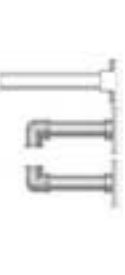
	<p>47360 – Black 47361 – Green 47362 – Yellow</p>
<p>1.75" Square Pole Mount</p>	<p>C</p>

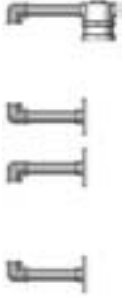
	<p>47370 – Black 47371 – Green 47372 – Yellow</p>
<p>2.5" Round Pole Mount</p>	<p>D</p>


	<p>53170 – Black 53171 – Green 53172 – Yellow</p>
<p>Dual Side Pole Mount</p>	<p>E</p>


	<p>53167 – Black 53168 – Green 53169 – Yellow</p>
<p>Single Side Pole Mount</p>	<p>F</p>

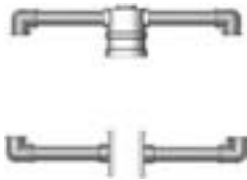
	<p>48912 – Black 48913 – Green 48914 – Yellow</p>
<p>Dual Side Pole Mount, no wedge</p>	<p>G</p>


	<p>48909 – Black 48910 – Green 48911 – Yellow</p>
<p>Single Side Pole Mount, no wedge</p>	<p>H</p>

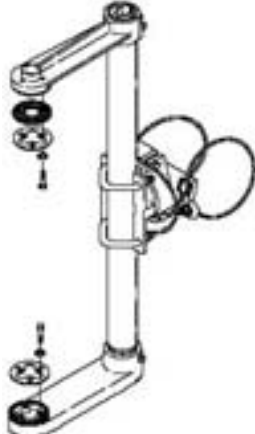
	<p>51024 – Black 51025 – Green 51026 – Yellow</p>
<p>Dual Vertical Top Pole Mount</p>	<p>I</p>

	<p>51021 – Black 51022 – Green 51023 – Yellow</p>
<p>Single Top Pole Mount</p>	<p>J</p>


	<p>48915 – Black 48916 – Green 48917 – Yellow</p>
<p>Third LED Mount K</p>	


	<p>51018 – Black 51019 – Green 51020 – Yellow</p>
<p>Dual Horizontal Top Pole Mount L</p>	


	<p>51027 –Black 51028 – Green 51029 – Yellow</p>
<p>Square Wood Post Mount M</p>	


	<p>48917</p>
<p>Overhead Mast-Arm Mount N</p>	


	<p>47553 – Amber 48820 – Red</p>
<p>12" LED Light O</p>	


	<p>50525 – Yellow</p>
<p>8" LED Light P</p>	


	<p>48941 – Upload Housing Kit, Calendar Upload and Override Switch 48947 – R829 Calendar Programming Kit</p>
<p>Upload/Program Kit Q</p>	


	<p>48919 – Push Button Switch</p>
<p>Switch R</p>	


	47256 – Internal Enclosure for Pager Assembly, includes Harness
Pager Assembly S	


	47504 – Black 47505 – Green 47506 – Yellow
Pelco Pipe Adaptor – Mounts to G, H, J, K T	

	48927 – Black 47374 – Green 47375 – Yellow
Horizontal Mount Support Arm Assembly, no wedge U	

	46506 – Black 46561 – Green 46562 – Yellow
Horizontal Mount Solar Engine Support Arm V	

	51719 – Tilt Mount, Top Plate Assembly Kit, Includes Side of Pole Arm, Black 51718 – Tilt Mount, Top Plate Assembly Kit, Includes Side of Pole Arm, Green 51717 – Tilt Mount, Top Plate Assembly Kit, Includes Side of Pole Arm, Yellow
Side of Pole Tilt-Mount W	

	50573 – Tilt Mount, Top Plate Assembly Kit, Black 50572 – Tilt Mount, Top Plate Assembly Kit, Green 50571 – Tilt Mount, Top Plate Assembly Kit, Yellow
Tilt-Mount: Mounts to G, H, J and K X	

	52333 – Tilt Mount, Top Plate and Base Plate Assembly Kit, Black 52332 – Tilt Mount, Top Plate and Base Plate Assembly Kit, Green 52331 – Tilt Mount, Top Plate and Base Plate Assembly Kit, Yellow
Tilt-Mount – Mounts C and D Y	



© 2008, Carmanah Technologies Corporation
www.carmanah.com

Technical Support: customerservice@carmanah.com
Toll Free in Canada and the U.S.: 1.877.722.8877
International: + 250.380.0052 | Fax: + 250.389.0040

Number: Roadway_Beacon_Mounting_Options_57141_Manual_vB