

APPLICATION - NEMA 3R

APX Technologies, Inc. 3R 19" rack mount enclosures are designed to house electronic controls, terminals, and instruments, and to provide protection from rain, sleet, snow, dripping water and corrosion, while providing ventilation.

APPLICATION - NEMA 4X

APX Technologies, Inc. 4X 19" rack mount enclosures are designed to house electronic controls, terminals, and instruments, and to provide protection from rain, sleet, snow, dripping water and corrosion, as well as hosedown, splashing water, oil or coolant seepage.

INDUSTRY STANDARD:

U.L. Type 3R, 4X

A. ENCLOSURE:

1. The complete enclosure is made from .125" thick aluminum alloy type 5052-H-32 to provide a strong and rigid construction. Alternative material is 14 gauge type 304 stainless steel. (Specifier must choose the material to be used.)
2. The enclosure are equipped with bracket provisions for rigid mounting of an optional EIA 19" rack frame assembly for mounting components. (See page C8 for E.I.A. rack specifications and catalog numbers.)
3. The door frame opening is double flanged on all four sides. These flanges increase the strength of the door opening and help prevent dust and liquids from dropping into the enclosure when the door is opened.
4. All exterior seams are ground smooth or sealed weathertight with silicone sealant.
5. All hardware is either stainless steel or aluminum.
6. (3R only) Enclosures have provisions for mounting a forced air fan system that can be thermostatically controlled, and air is exhausted through a screened vent system in the enclosure top.

B. DOOR: (Front-hinge on __, rear-hinge on __)

1. Equipped with three point latching mechanism with nylon rollers at the top and bottom.
2. Door handle is .75" stainless steel round bar and has provisions for a padlock.
3. (3R only) The standard main door lock is Corbin #1548-1 or equal.
4. (3R only) A louvered air vent with reusable metal filter and retaining brackets is provided.
5. The main door is sealed with closed-cell neoprene gasket.
6. The continuous door hinge is .075" thick stainless steel with a .25" stainless hinge pin.

C. FINISH:

1. Natural aluminum enclosures are mill finish per federal specification QQA-250/8.

NEMA 3R SHOWN

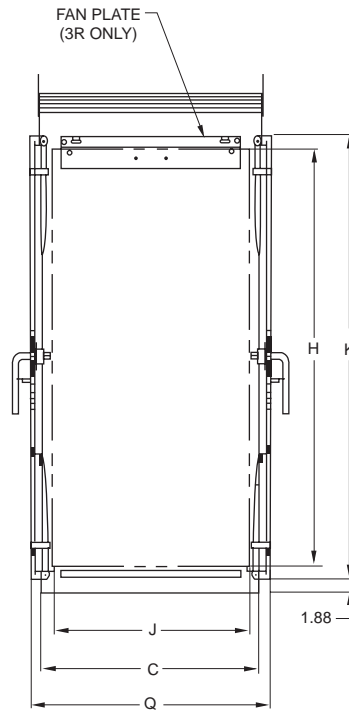
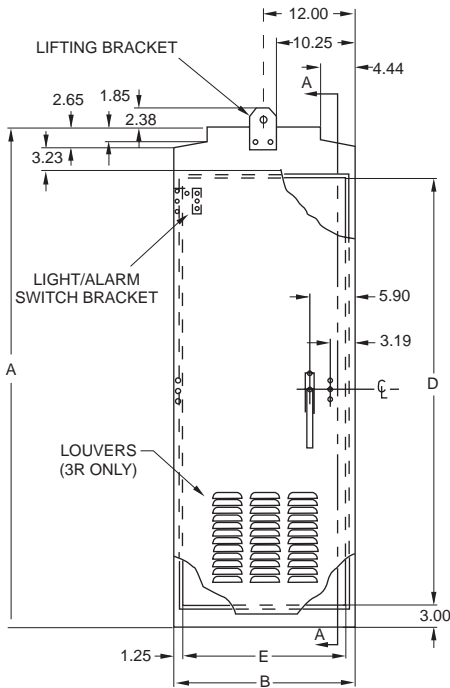
Optional rack frame shown installed



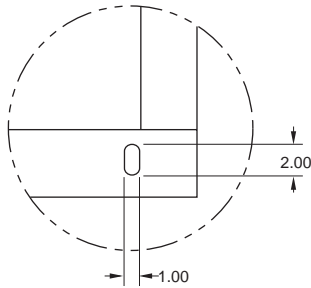
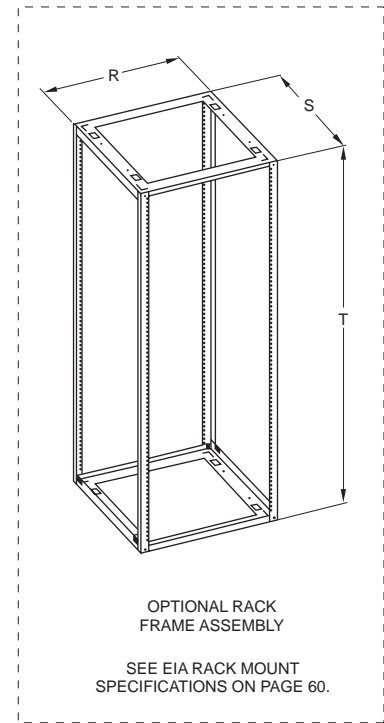
2. Painted enclosures are treated with an iron phosphate coating and dried by radiant heat. The standard finish coat is baked polyester powder.

FOR NEMA TYPE 4X RATING:

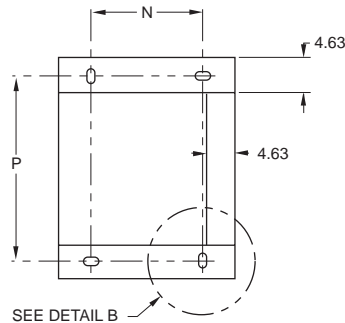
DELETE all vents and main door lock (Corbin #1548-1), and switch compartment assembly.
ADD all through holes are sealed.



SECTION A-A



DETAIL B



PAD MOUNTING PATTERN

OPTIONS:

- Locks: Keying, Other Than Standard
- Rack Frame Assembly
- Switch Compartment
- Custom Equipment Mounting
- Climate Control
 - Air Conditioner
 - Sunshields
 - Insulation
 - Heater
- Forced Air Ventilation-Fan (3R only)

| CATALOG NUMBER | SUGGESTED MOUNTING OPTIONS | | | CABINET | | | DOOR OPENING | | SWITCH COMPARTMENT LOCATION | | AVAILABLE SPACE | | DOOR HEIGHT | PANEL | | PAD MTG. PATTERN | | GENERAL INFORMATION | | | |
|----------------|----------------------------|------|-----|---------|-------|-------|--------------|-------|-----------------------------|---|-----------------|-------|-------------|-------|-----|------------------|-------|---------------------|-------|-------|-------|
| | PED | POLE | PED | A | B | C | D | E | F | G | H | J | K | L | M | N | P | Q | R | S | T |
| RM392420 | YES | YES | YES | 39.00 | 24.00 | 20.25 | 9.00 | 21.50 | OPTIONAL | | 25.75 | 16.50 | 31.25 | N/A | N/A | 15.00 | 15.00 | 22.75 | 20.00 | 15.75 | 27.25 |
| RM462420 | NO | YES | YES | 46.00 | 24.00 | 20.25 | 36.00 | 21.50 | OPTIONAL | | 32.75 | 16.50 | 38.25 | N/A | N/A | 15.00 | 15.00 | 22.75 | 20.00 | 15.75 | 34.25 |
| RM463026 | NO | YES | YES | 46.00 | 30.00 | 26.25 | 36.00 | 27.50 | OPTIONAL | | 32.75 | 22.25 | 38.25 | N/A | N/A | 21.00 | 21.00 | 28.50 | 20.00 | 20.75 | 34.25 |
| RM553026 | NO | YES | YES | 55.00 | 30.00 | 26.25 | 44.00 | 27.50 | OPTIONAL | | 41.75 | 22.25 | 47.25 | N/A | N/A | 21.00 | 21.00 | 28.50 | 20.00 | 20.75 | 43.25 |
| RM672430 | NO | NO | YES | 67.00 | 24.00 | 30.00 | 57.00 | 21.50 | OPTIONAL | | 53.75 | 26.25 | 59.25 | N/A | N/A | 15.00 | 25.00 | 32.50 | 20.00 | 20.75 | 55.25 |
| RM672438 | NO | NO | YES | 67.00 | 24.00 | 38.00 | 57.00 | 21.50 | OPTIONAL | | 53.75 | 34.25 | 59.25 | N/A | N/A | 15.00 | 33.00 | 40.50 | 20.00 | 29.25 | 55.25 |