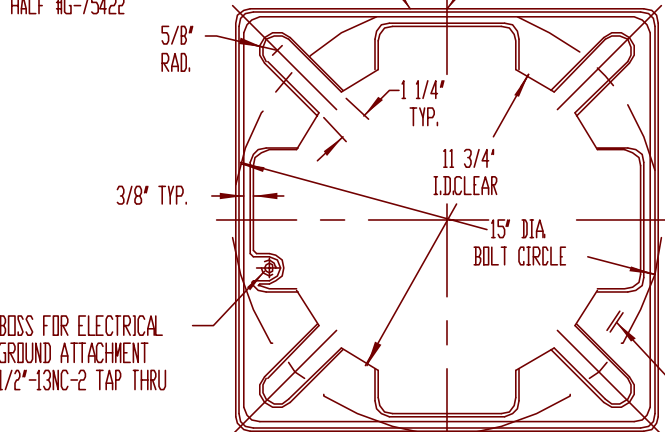


(C3) ' TRAFFIC SIGNAL INSTALLATIONS ONLY '

BEFORE WELDING POSITION BOTTOM
HALF #G-75423 SO THAT GROUND BOSS
IS TO LEFT OF DOOR OPENING IN TOP
HALF #G-75422



1"-8NC-2 X 3" LONG HEX HEAD BOLT
STAINLESS STEEL - PASSIVATED
LOCKWASHER, 1" BOLT
STAINLESS STEEL - PASS.

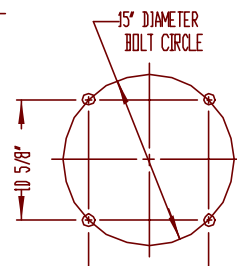
FLATWASHER, 1" BOLT
STAINLESS STEEL - PASS.

FLATWASHER, 1" BOLT
3/8" THK. X 2 1/2" O.D.
HRS. - GALV.

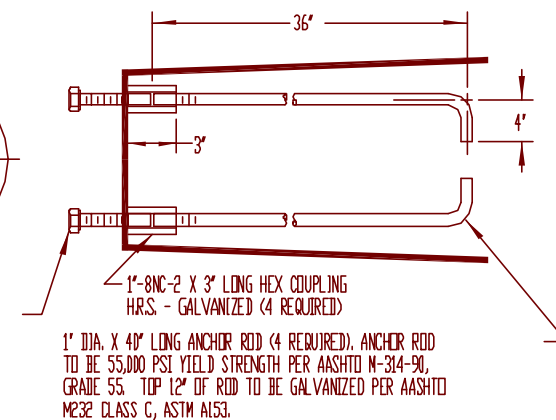
HEX COUPLING
HRS. - GALV.

ANCHOR ROD

DETAIL 'C'



1"-8NC-2 X 3" LONG HEX HEAD BOLT,
LOCKWASHER AND FLATWASHER -
STAINLESS STEEL 4 OF EACH REQUIRED



(P&K)

REV.	DESCRIPTION	DATE	BY	CHK	APP. FOR
A	ADDED ALT. DETAIL 'B'	02-12-88	MMS	WWW	P&K POLE PRODUCTS, INC. 84 Foundry St., Newark, N.J. TB-2C BASE ASSEMBLY NJDOT TYPE TB-20
B	CHG #1283 WAS #AS-93755	01-14-89	MMS		
C1	REV. TO PLASTIC DOOR				
C2	DELETED BREAKAWAY LABEL				
C3	ADDED TRAFFIC ONLY NOTE				DR: MMS CH: V.V.V. APP. DATE: 08-26-85 08-26-85 C-76327
C4	RE-DRAWN	02-19-91		WWW	CHECKED: NEW JERSEY DEPT. OF TRANSPORTATION SCALE: NONE REV.
D	DELETED ALT. MATERIAL	03-13-91		WWW	