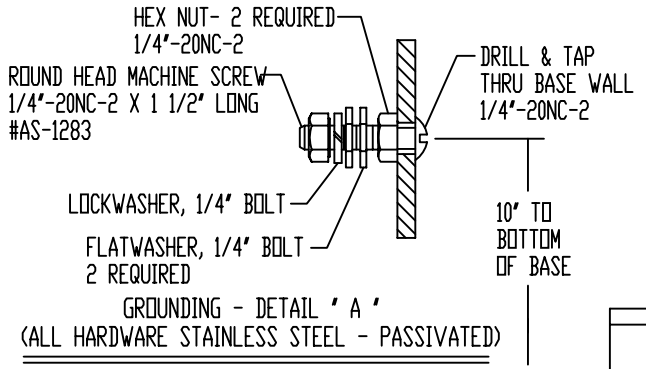


NOTE: 6063 ASSEMBLY WITH .375 WALL OR LESS TO BE HEAT-TREATED TO T6 TEMPER AFTER WELDING.



ALTERATIONS				
ALT.	DESCRIPTION	DATE	BY	CH
A	WAS 15' LONG ANCHORAGE	07-15-94	W/W	
B	DELETED ANCHOR CLEATS	08-21-95	W/W	

MATERIAL
STOCK SIZE
FINISH OR TEMPER
CUSTOMER BERGEN COUNTY DEPT. OF PUBLIC WORKS

P&K	
P&K POLE PRODUCTS 84 Foundry St., Newark, N.J.	
TITLE SP645508002G-71 BERGEN CODE SP06-0800	
DR. M.M.S.	05-03-89
CH. A.W.	05-04-89
APP.	
SCALE NONE	B-79693-2