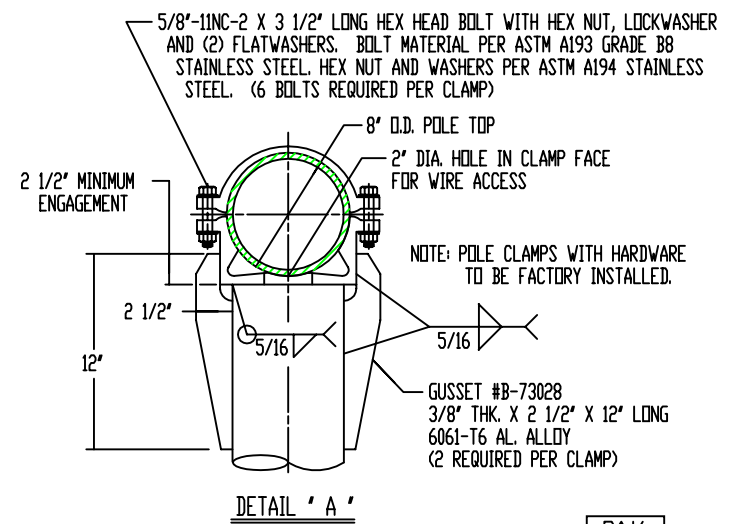
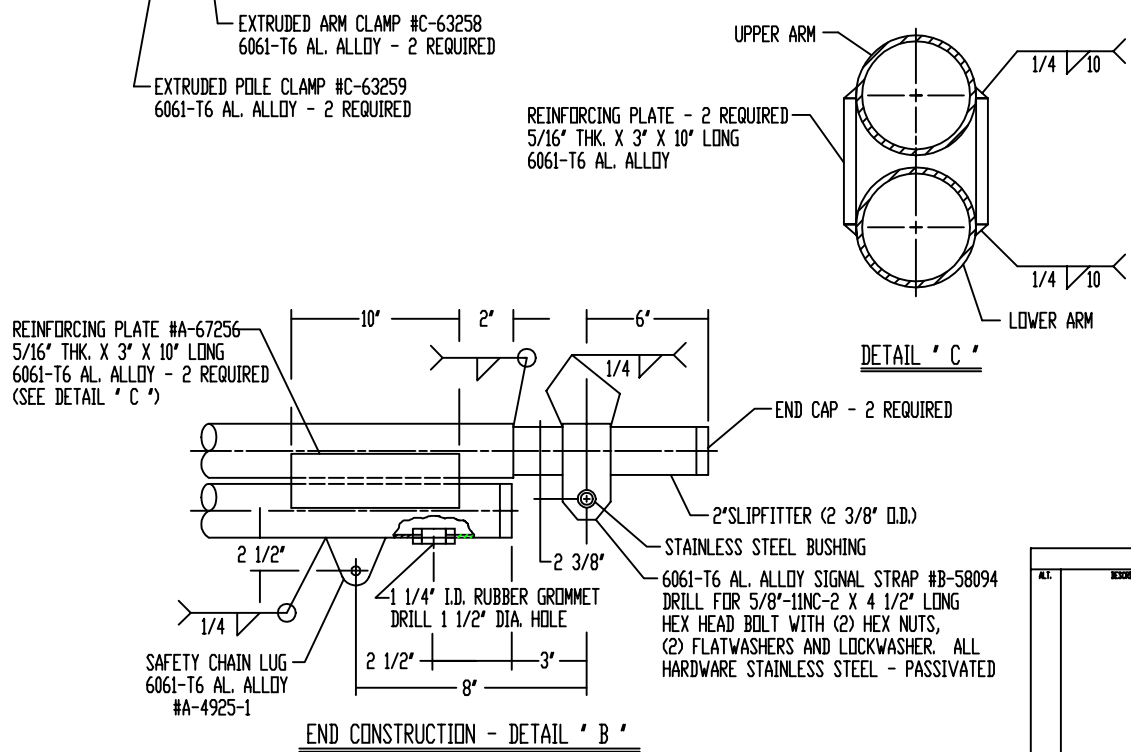


NOTE:
1.- USE 4043 WELD WIRE.
2.- 6063 ASSEMBLY .375 WALL OR LESS TO BE HEAT-TREATED TO T6 TEMPER AFTER WELDING.



P&K					P&K POLE PRODUCTS, INC. 84 Foundry St., Newark NJ	
MATERIAL					TITLE	
STOCK SIZE					BERGEN CODE ' MA30-10 '	
FINISH OR TEMPER					MA3060880-70	
BY M.M.S.					11-13-90	ENG. NO.
CHK W.W.V.					11-13-90	
APP.					C-98335	
CUSTOMER					SCALE	
BERGEN COUNTY DEPT. OF PUBLIC WORKS					NONE	