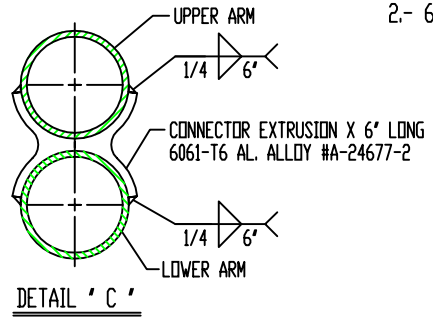


SEE DETAIL 'A'

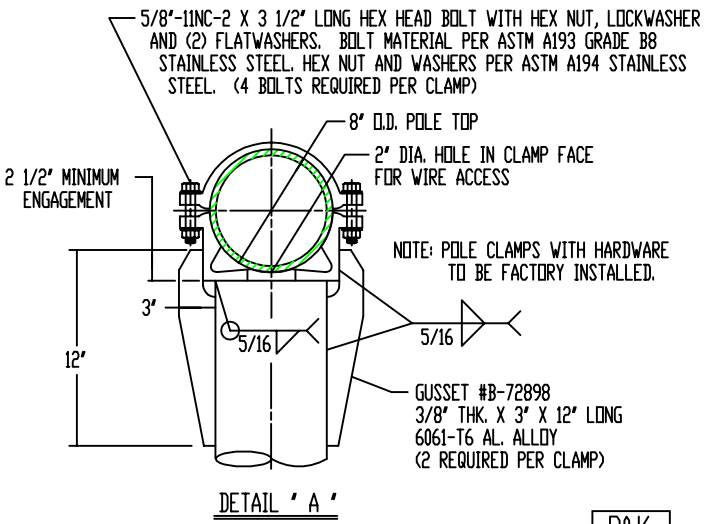
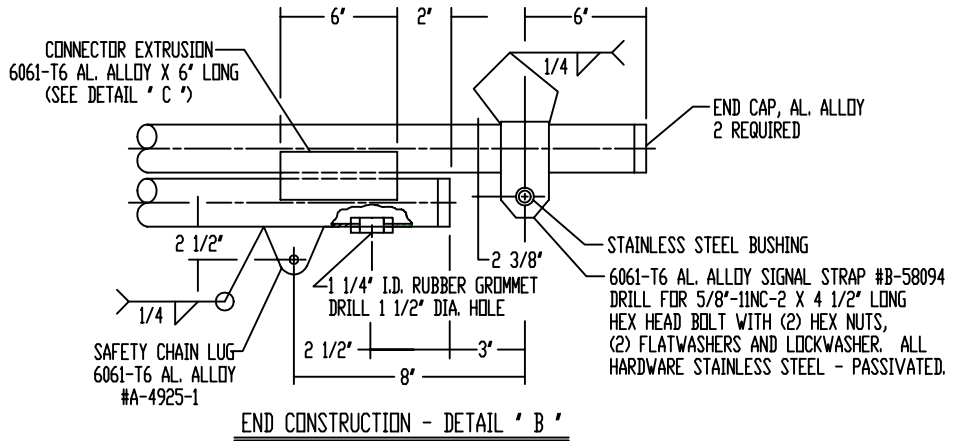
WIRE INLET - SEE DETAIL 'D'

EXTRUDED ARM CLAMP #C-64699
6061-T6 AL. ALLOY - 2 REQUIRED

EXTRUDED POLE CLAMP #C-64700
6061-T6 AL. ALLOY - 2 REQUIRED



NOTE:
1.- USE 4043 WELD WIRE.
2.- 6063 ASSEMBLY .375 WALL OR LESS TO BE HEAT-TREATED TO T6 TEMPER AFTER WELDING.



P&K

INTERNAL					P&K POLE PRODUCTS, INC. 84 Foundry St., Newark NJ	
ALT.	DESCRIPTION	DATE	BY	CR	TITLE BERGEN CODE "MA25-10" MA2550880-70	
STOCK SIZE					DR. M.M.S. 05-12-95	
FINISH OR TEMPER					ENCL. W.W.W. 05-12-95	
CUSTOMER					SCALE NONE	
BERGEN COUNTY DEPT. OF PUBLIC WORKS					C-105472	